



TILMARCON

www.marcon.ind.br

CATALOG *2012 PRODUCTS*



**BRAZILIAN
COMPANY**

Our Industrial plant covers a constructed area of 30.000m² constituted of 3 facilities with 500 employees stand ready to service your requirements.



FACILITY II



FACILITY II



FACILITY I

2 FACILITY II: HYDRAULIC LINE

1 FACILITY I: MECHANICAL LINE AND HANDLING MATERIAL



With a global reputation, Marcon is a successful company with 25 years experience in metallurgical sector with a constructed area constituted of 3 facilities. The Company covers an area of 30.000m² currently in use and another 65.000m² for expansion. The recently launched Facility III is responsible for the new Foundry Installation and launched lines: Construction Line (*Construção*) and *Prátika* Line. With 500 employees stand ready to service national and international market, Marcon covers all Brazilian country, as well Latin America and The Middle East with products available to customers in 7.000 points of sale. Altogether, there are more than 1.000 items from 5 lines: **Mechanical Line** (*Mecânica*), **Handling Material** (*Movimento*), **Hydraulic** (*Hidráulica*), **Construction Line** (*Construção*) and ***Prátika* Line**.



FACILITY I



FACILITY III



FACILITY III

3 FACILITY III:
CONSTRUCTION AND
PRÁTICA LINES



14



Mecânica

MODULARES

Infinity

- | | |
|---|--|
| 18 WORKBENCH COMBINATIONS | 53 LOCKER ACCESSORIES |
| 22 FRAMES AND ACCESSORIES | 54 ISO CONE CABINETS AND MOBILE RACKS |
| 23 MODULAR WORKBENCHES | 56 BIN STORAGE RACKS |
| 26 DRAWER CABINET COMBINATIONS | 58 PLASTIC BINS AND STACKABLE BASKETS |
| 30 MODULAR DRAWER CABINETS | 60 SHELVINGS |
| 32 WORKSPACE EQUIPMENT | 63 LADDERS |
| 34 HOBBY AND MOBILE WORKBENCHES | 64 COMPUTER CABINETS |
| 39 OPTIONAL WORKBENCH ACCESSORIES | 64 WORKSTATIONS |
| 40 PARTS WASHER | 65 TOOL TROLLEYS |
| 41 ECOLIMP DEGREASER | 72 STEEL TOOL BOXES |
| 42 PEGBOARDS AND TOOL CABINETS | 75 PLASTIC TOOL BOXES |
| 49 BIN CABINETS AND BIN MOBILE RACKS | 76 TOOL CHESTS |
| 51 STEEL LOCKERS | |

78



Movimento

- | |
|---------------------------------------|
| 82 BEVERAGE / WAREHOUSE TRUCKS |
| 84 UTILITY TRUCKS |
| 86 PLATFORM TRUCKS |
| 88 WHEELS AND ACCESSORIES |
| 90 CASTERS |



TIL MARCON

94

Hidráulica

- 98** HYDRAULIC PRESSES
- 101** MAINTENANCE SET AND CRIMPING TOOL
- 101** MANUAL HYDRAULIC PULLER
- 102** ENGINE CRANES
- 106** CHASSIS STRAIGHTENERS
- 108** HYDRAULIC JACKS
- 112** JACK STANDS
- 112** PIPE BENDERS
- 113** DUMPER AND DUMPER HOLDER
- 114** HYDRAULIC STACKERS
- 118** PLATFORM LIFT TRUCK
- 119** HYDRAULIC SCISSOR PLATFORM TRUCKS
- 120** HAND PALLET TRUCKS
- 121** ELECTRIC PALLET TRUCKS

122

Construção

- 124** CEMENT MIXERS
- 126** WHEELBARROWS

128

Prática

- 130** BENCH VISE JAWS
- 130** BENCH GRINDER
- 131** DRILL PRESSES





High Technology and Excellence

in every production phase



TIL MARCON

www.marcon.ind.br

PROJECT

MARCON Engineering department is constantly working with new ideas to create new and better products, giving us global reputation and excellence in metallurgical sector.



INDUSTRIAL PROCESS

Solid investments have constantly been made in Technology. Next-generation machineries have been installed in the company for improving industrial process in different productive process such as: cutting, pressing, folding, welding and machining.



RAW MATERIAL

All the raw material is purchased from certificated suppliers. Before industrialization started, all material is rigorously tested to ensure the production of high quality.



PAINT SYSTEM

After surface treatment, epoxy paint system is applied over products and the drying process is finished with 220°C temperature, providing superior resistance and avoiding oxidation.



FOUNDRY INSTALLATION

The creation of *Prátika* and Construction Lines has increased the demand for cast components, so a modern Foundry Installation has been installed in order to ensure the dead-line and high quality of the products.



ASSEMBLY

The assembly of hydraulic pumps is made and tested after painting system to ensure the high quality of equipments. This process is made in an environment free from solid particles.



TESTING LABORATORY

The Foundry Installation also counts with a specialized laboratory, created in order to standardize all production of metal alloys and ensure that all of them are strong and compatible with requirements.



HIGH QUALITY

MARCON has an own test center where all components are rigorously tested to ensure the product durability and performance.





Find out the difference MARCON can make to your business!
Manage your workspace with our products and solutions.



TELESCOPIC SLIDES

Telescopic slides allow a fully opening of drawer, ensuring maximum access to its interior with a smooth running action, even when they are completely filled. They also allow the removal of drawers without removing screws.



BIN SYSTEM

Our bin system provides two possibilities: STACKABLE BINS or INTERLOCKING BINS, improving transportation and storage capacity.



ADJUSTABLE FEET

Standard accessory in different products such as cabinets, workstation and parts washer, the adjustable feet can be used in any floor, providing greater stability.



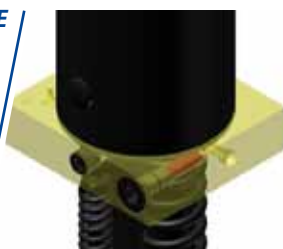
INTERNAL HINGES

Our product doors are mounted with hidden hinges, providing greater safety and an excellent finishing.



SAFETY VALVE

The safety valve ensures the load capacity is not exceeded, providing an ideal operation of hydraulic equipments.



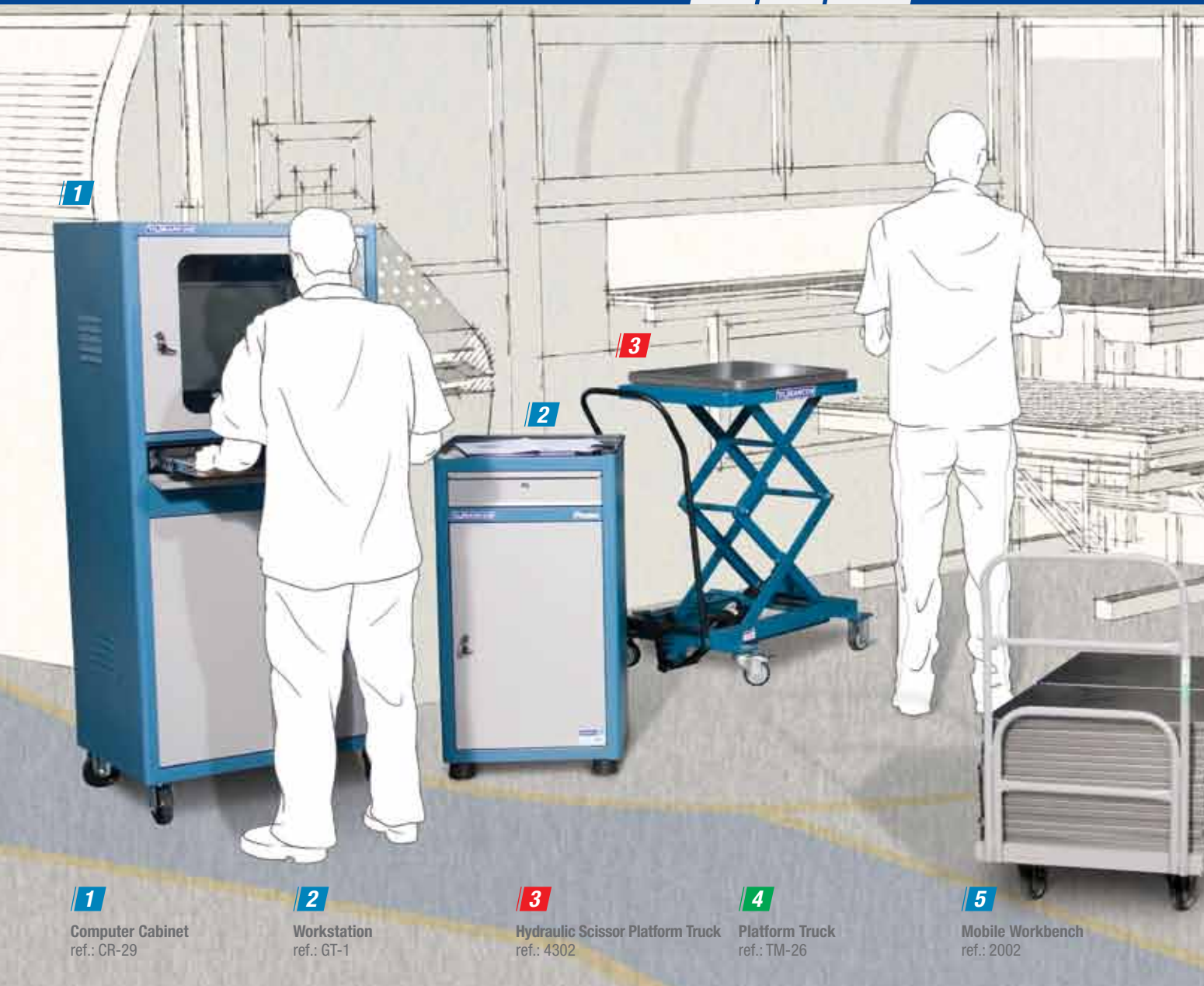
TECHNICAL SUPPORT

Marcon counts with a vehicle fleet and a team of qualified technical promoters travelling throughout Brazil in order to provide support by approving equipments and training distributors.





The most complete product range available to increase industrial production capacity.



1
Computer Cabinet
ref.: CR-29

2
Workstation
ref.: GT-1

3
Hydraulic Scissor Platform Truck
ref.: 4302

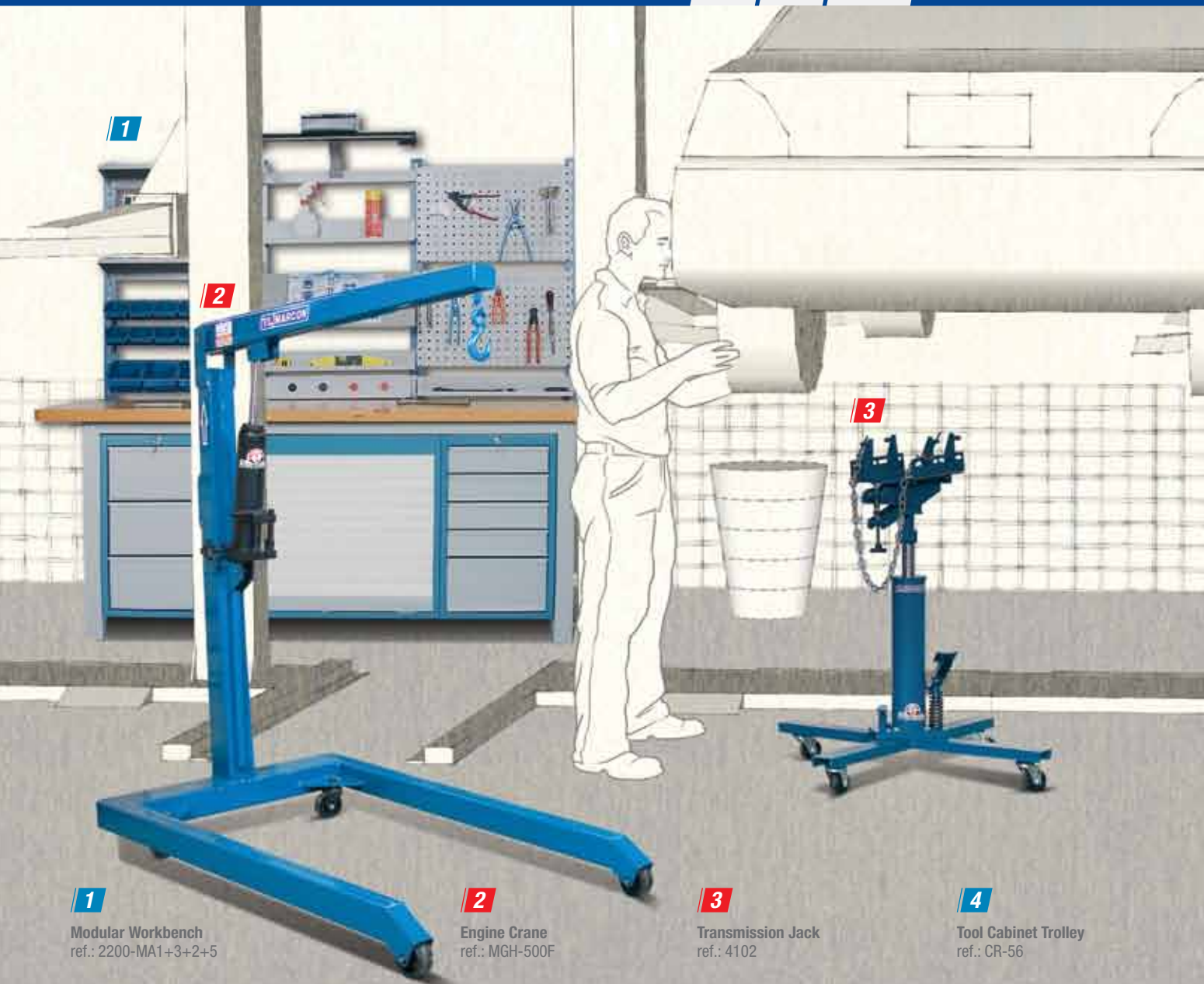
4
Platform Truck
ref.: TM-26

5
Mobile Workbench
ref.: 2002





MARCON can turn your workspace into a more effective and practical place. We have the best options to supply your mechanical workshop.



1

2

3

1

Modular Workbench
ref.: 2200-MA1+3+2+5

2

Engine Crane
ref.: MGH-500F

3

Transmission Jack
ref.: 4102

4

Tool Cabinet Trolley
ref.: CR-56





The most wide range of products
created for ensuring the maintenance
and organization of your workplace!
MARCON assists your company needs
with quality and convenience.





TABLE OF CONTENTS

MODULAR WORKBENCHES

22  **MODULARES Infinity**

MODULAR DRAWER CABINETS

30  **MODULARES Infinity**

HOBBY AND MOBILE WORKBENCHES

34 

WORKBENCH ACCESSORIES

39 

PARTS WASHER

40  **compact LINE**


ECOLIMP DEGREASER

41 

PEGBOARDS AND TOOL CABINETS

42  **compact LINE**


BIN STORAGE CABINETS AND MOBILE BIN RACKS

49  **compact LINE**

STEEL LOCKERS

51 

ISO CONE CABINETS AND MOBILE ISO CONE RACKS

54 

BIN STORAGE RACKS

56  **stainless steel**

PLASTIC BINS AND STACKABLE BASKETS

58 


SHELVINGS

60  **stainless steel**

LADDERS

63 

COMPUTER CABINETS

64 

WORKSTATIONS

64 

TOOL TROLLEYS

65  **stainless steel** **compact LINE**

STEEL TOOL BOXES

72 

PLASTIC TOOL BOXES

75 

TOOL CHESTS

76 



Compact version available



Stainless steel products available



Infinity is a creative storage system: you are free to customize workbench and drawers in countless combinations with a range of accessories. Infinity brings organization to your workplace, allowing different solutions for your requirements.

MODULARES
Infinity



1

Modular workbench
ref.: 2200-MA1+7+5+L+R

2

Upper modular drawer cabinets
ref.: G6+GP-1

3

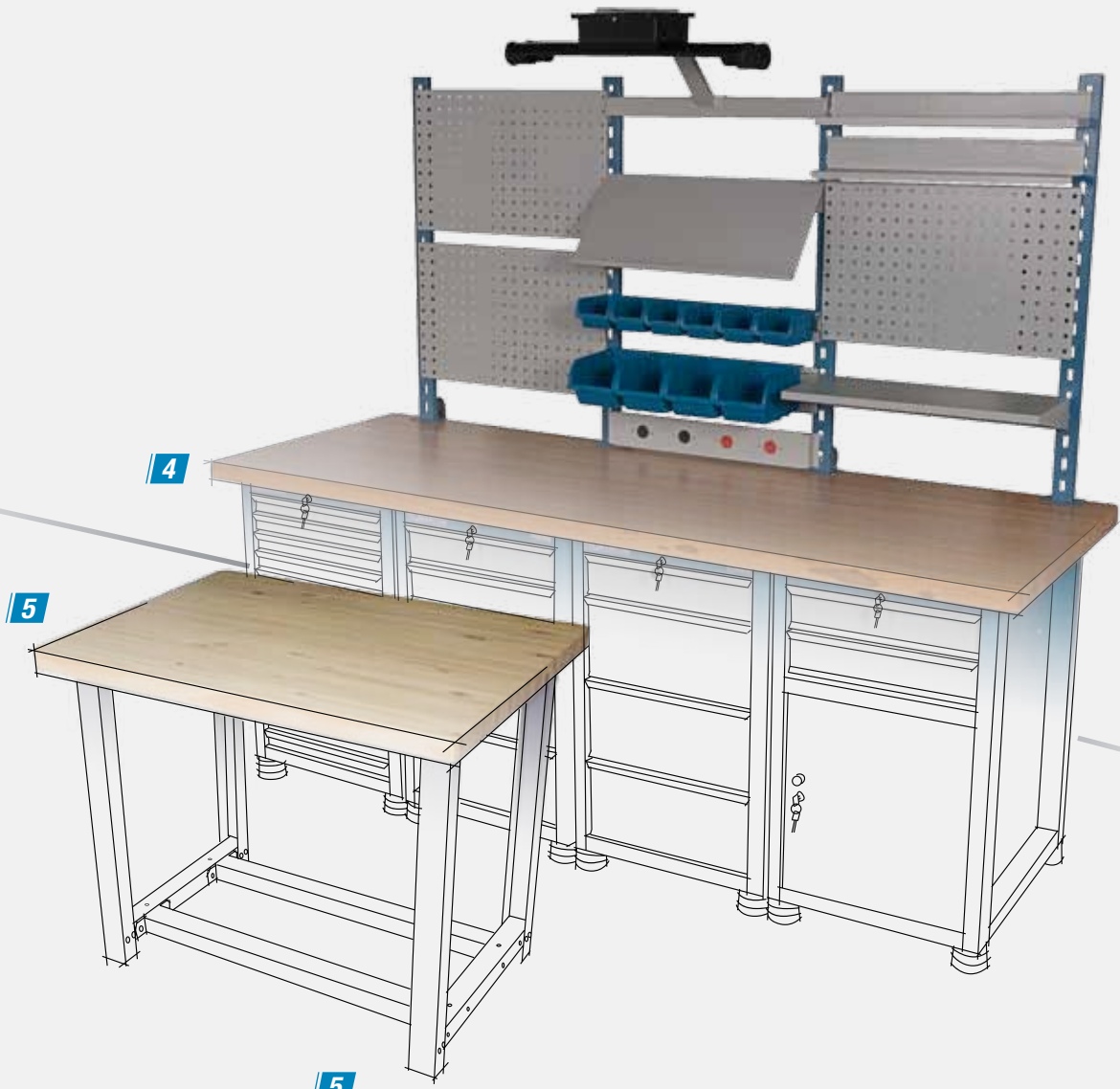
Modular drawer cabinets
ref.: MP3+CV1+G14

Modular drawer cabinets
ref.: MP3+G14+G7

Modular workbench
ref.: 1600-MA2+7+5+H

Modular drawer cabinets
ref.: MA2+CV1+G4+GP4

Modular workbench
ref.: 1100-MP3+E+R+AM-5



4
Modular drawer cabinets
ref.: MA1+G14+G6+G4+GP2

5
Modular workbench
ref.: 1100-MP3



MODULARES Infinity

COMBINATIONS

SIMPLY SELECT THE PRODUCTS THAT FIT YOUR NEEDS AND ORGANIZE YOUR WORKPLACE.

- 1st step: Select the size;
- 2nd step: Select the worktop;
- 3rd step: Select the cabinets (cupboards or drawers);
- 4th step: Select the cupboards and upper components;
- 5th step: Select optional accessories.



1 1ST STEP SELECT THE SIZE



1100
1100 x 800 x 850 mm
(height without worktop)



1600
1600 x 730 x 850 mm
(height without worktop)



2200
2200 x 800 x 850 mm
(height without worktop)



2 2ND STEP SELECT THE WORKTOP

ANGELIM 45 mm	PINE 45 mm	MARINE PLYWOOD 45 mm	MARINE PLYWOOD 25 mm	STEEL PLATE 3 mm	STAINLESS STEEL PLATE* 1 mm
references 1100-MA3 1600-MA2 2200-MA1	references 1100-MP3 1600-MP2 2200-MP1	references 1100-MN3 1600-MN2 2200-MN1	references 1100-CN3 1600-CN2 2200-CN1	references 1100-CH3 1600-CH2 2200-CH1	references 1100-CI3 1600-CI2 2200-CI1



*Marine plywood worktop (25 mm) finished with stainless steel plate (1 mm).

**3 3RD STEP
SELECT THE CABINETS (CUPBOARDS OR DRAWERS)**



ref.: 1	ref.: 1A	ref.: 1B	ref.: 1C	ref.: 2	ref.: 3
QUANTITY OF CABINETS					
size	1100	1600	2200		
single cabinet	1 to 2	1 to 3	1 to 4		
double cabinet	1	1	1 to 2		

**4 4TH STEP
SELECT THE CUPBOARDS AND UPPER COMPONENTS**



UPPER COMPONENTS (for use with SM-X and SM-Y uprights)				TOOL CABINETS
ref.: SM-X	ref.: SM-O	ref.: SM-R	ref.: SM-U	ref.: AM-5 (650 x 230 x 980)
ref.: SM-Y	ref.: SM-P	ref.: SM-S	ref.: SM-V	ref.: AM-6 (1000 x 210 x 900)
ref.: SM-N	ref.: SM-Q	ref.: SM-T	ref.: SM-W	ref.: AM-7 (1500 x 210 x 900)

**5 5TH STEP
SELECT OPTIONAL ACCESSORIES**



Drawer divider	Divider boxes with 8 compartments	Divider boxes with 10 compartments	Divider boxes with 20 compartments	Rubber mat	Caster kit
reference DPG-4	reference VF-4	reference VF-5	reference VF-6	references LB-1 LB-2 LB-3	reference CRB



WORKBENCH COMBINATIONS

MODULAR WORKBENCH

List of accessories for workbenches

WORKBENCHES	ACCESSORIES	CABINET
1	—	—
2	—	AM-6
3	SM-X (2 pcs.)/SM-P/SM-V/SM-T/SM-Q/KIT-GS2	—
4	—	AM-6
5	SM-Y(9 pcs.), SM-V(3 pcs.), SM-N(4 pcs.), SM-O(4 pcs.), SM-Q(6 pcs.), SM-T, SM-R(3 pcs.), SM-U	—
6	SM-Y(10 pcs.), SM-V(4 pcs.), SM-U, SM-Q(9 pcs.), SM-R(4 pcs.), SM-P, SM-N(5 pcs.), SM-O(4 pcs.)	—
7	SM-X(3 pcs.), SM-V, SM-U, SM-P, SM-N(4 pcs.), SM-O(2 pcs.), SM-S(2 pcs.), KIT-GS2	—
8	—	AM-7
9	SM-Y(10 pcs.), SM-V(4 pcs.), SM-U, SM-Q(9 pcs.), SM-R(4 pcs.), SM-P, SM-N(5 pcs.), SM-O(4 pcs.)	—
10	—	AM-6(2 pcs.)
11	SM-X(2 pcs.), SM-O, SM-N, SM-Q(2 pcs.), SM-P, SM-U	AM-5(2 pcs.)
12	SM-Y(10 pcs.), SM-V(4 pcs.), SM-R(6 pcs.), SM-Q(8 pcs.), SM-T, SM-P(2 pcs.), SM-U(2 pcs.), SM-W, SM-N(6 pcs.), SM-O	—



1



1100 1100-CN3+J+D

2



1100-MP3+1+F

6



1600

1600-MA2+2+5

10



2200

2200-MP1+T+7+5+L

3



1100-MP3+7+F

4



1100-MP3+5+R

5



1100-MN3+T+R

7



1600-MA2+7+3+D

8



1600-MA2+7+2

9



1600-MA2+E+7+L+CRB

11



2200-MA1+J+3+5+D

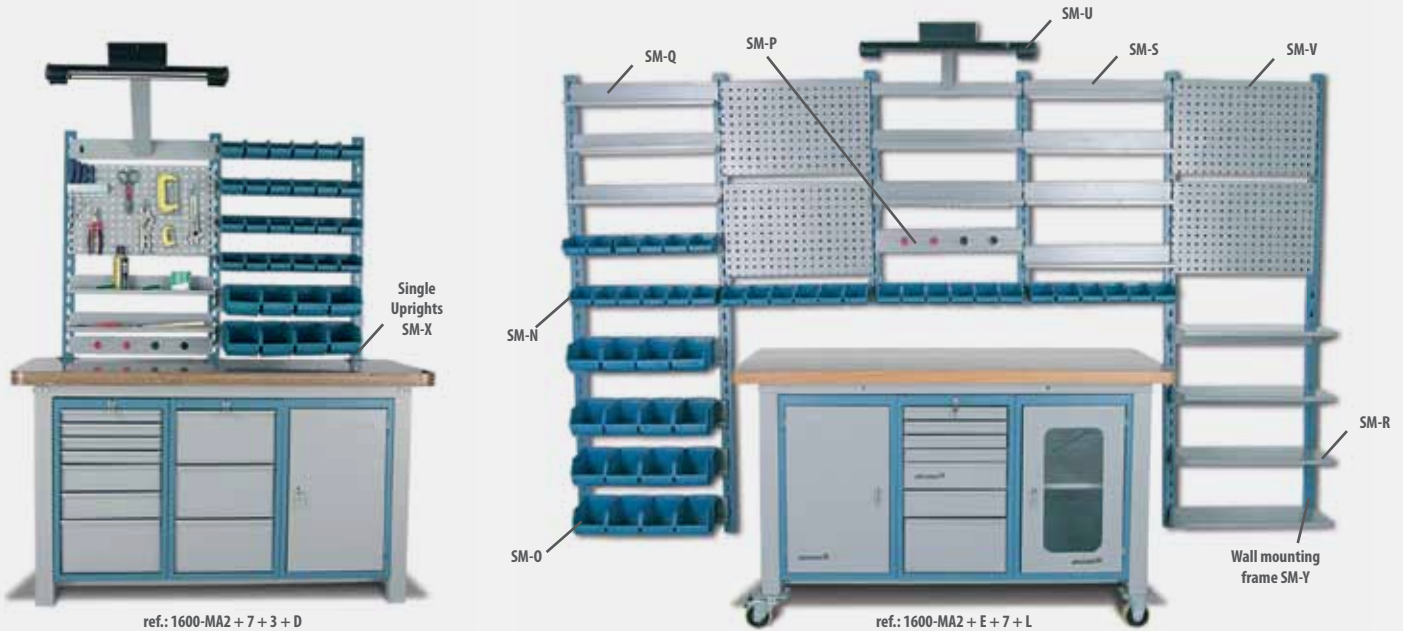
12



2200-MP1+T+7+5+3+CRB



Versatility for wall mounting and workbench accessories.
10 options of accessories with fitting system.



ref.: 1600-MA2 + 7 + 3 + D

ref.: 1600-MA2 + E + 7 + L

Wall mounting frame

ref.:
SM-Y



Product Specifications

- › Height: 1000 mm

Accessories

ref.:
SM-Q

W	D
640	100



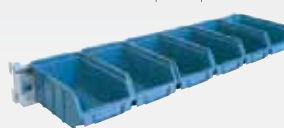
Product Specifications

- › Steel Pegboard shelf without lip

Accessories

ref.:
SM-N

W	D	H
640	190	80



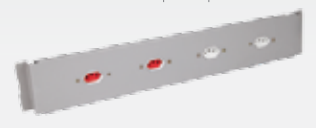
Product Specifications

- › Bin rail with 6 blue plastic bins n° 3

Accessories

ref.:
SM-P

W	D	H
640	50	100



Product Specifications

- › Power Strip – 2 outlets (voltage 110) and 2 outlets (voltage 220)

Single Uprights

ref.:
SM-X



Product Specifications

- › Height: 1000 mm

ref.:
SM-S

W	D
640	100

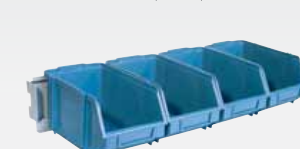


Product Specifications

- › Steel Pegboard shelf with lip

ref.:
SM-O

W	D	H
640	260	120



Product Specifications

- › Bin rail with 4 blue plastic bins n° 5

ref.:
SM-U

W	D	H
660	500	280



Product Specifications

- › Overhead light Support Bracket with 2 light fixture and switch

Accessories

ref.:
SM-T

W	D
640	295



Product Specifications

- › Document Holder (Tilting top)
- › Includes lip for pencils, pens, etc.

ref.:
SM-R

W	D
640	265

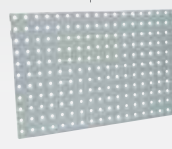


Product Specifications

- › Steel Pegboard shelf without lip

ref.:
SM-V

W	D
640	400



Product Specifications

- › Steel Pegboard

ref.:
SM-W



Product Specifications

- › Tool bracket with hook

Steel frameworks

ref.:	W	D	H
1100-MA3	1100	800	850*
1100-MP3			* without worktop
1100-MN3			
1100-CN3			
1100-CH3			
1100-CI3			



Product Specifications

- › 1100-MA3: *angelim* worktop (twpoly panel) finished with varnish (45 mm)
- › 1100-MP3: pine worktop (twpoly panel) finished with varnish (45 mm)
- › 1100-MN3: marine plywood worktop finished with varnish (45 mm)
- › 1100-CN3: marine plywood worktop finished with varnish (25 mm)
- › 1100-CH3: steel worktop with epoxy coating (3 mm)
- › 1100-CI3: marine plywood worktop (25 mm) finished with Stainless Steel plate (1 mm)

Worktops

ref.:	W	D	H
MA-3	1100	800	45
MA-2	1600	730	45
MA-1	2200	800	45

Product Specifications

- › *Angelim* worktop (twpoly panel) finished with varnish



ref.:	W	D	H
MP-3	1100	800	45
MP-2	1600	730	45
MP-1	2200	800	45

Product Specifications

- › Pine worktop (twpoly panel) finished with varnish



ref.:	W	D	H
1600-MA2	1600	730	850*
1600-MP2			* without worktop
1600-MN2			
1600-CN2			
1600-CH2			
1600-CI2			



Product Specifications

- › 1600-MA2: *angelim* worktop (twpoly panel) finished with varnish (45 mm)
- › 1600-MP2: pine worktop (twpoly panel) finished with varnish (45 mm)
- › 1600-MN2: marine plywood worktop finished with varnish (45 mm)
- › 1600-CN2: marine plywood worktop finished with varnish (25 mm)
- › 1600-CH2: steel worktop with epoxy coating (3 mm)
- › 1600-CI2: marine plywood worktop (25 mm) finished with Stainless Steel plate (1 mm)

ref.:	W	D	H
MN-3	1100	800	45
MN-2	1600	730	45
MN-1	2200	800	45

Product Specifications

- › Marine plywood worktop finished with varnish



ref.:	W	D	H
CN-3	1100	800	25
CN-2	1600	730	25
CN-1	2200	800	25

Product Specifications

- › Marine plywood worktop finished with varnish



ref.:	W	D	H
2200-MA1	2200	800	850*
2200-MP1			* without worktop
2200-MN1			
2200-CN1			
2200-CH1			
2200-CI1			



Product Specifications

- › 2200-MA1: *angelim* worktop (twpoly panel) finished with varnish (45 mm)
- › 2200-MP1: pine worktop (twpoly panel) finished with varnish (45 mm)
- › 2200-MN1: marine plywood worktop finished with varnish (45 mm)
- › 2200-CN1: marine plywood worktop finished with varnish (25 mm)
- › 2200-CH1: steel worktop with epoxy coating (3 mm)
- › 2200-CI1: marine plywood worktop (25 mm) finished with Stainless Steel plate (1 mm)

ref.:	W	D	H
CH-3	1100	800	3
CH-2	1600	730	3
CH-1	2200	800	3

Product Specifications

- › Steel worktop with epoxy coating (3 mm)



ref.:	W	D	H
CI-3	1100	800	30
CI-2	1600	730	30
CI-1	2200	800	30

Product Specifications

- › Marine plywood worktop (25 mm) finished with Stainless Steel plate (1 mm)





MODULAR WORKBENCHES (DRAWERS AND CUPBOARDS)

drawer dimensions (see page 30)

Modular cabinets

ref.:	W	D	H
1	430	600	280



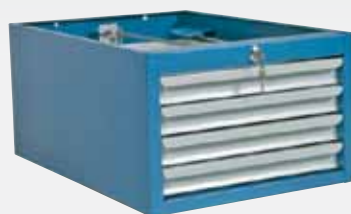
Product Specifications
 › 1 drawer (model C)

ref.:	W	D	H
1A	430	600	280



Product Specifications
 › 2 drawers (model B)

ref.:	W	D	H
1B	430	600	280



Product Specifications
 › 4 drawers (model A)

ref.:	W	D	H
1C	430	600	172



Product Specifications
 › 1 drawer (model B)

Modular cabinets

ref.:	W	D	H
2	860	600	700



Product Specifications
 › Rolling shutter PVC door
 › 1 shelf

ref.:	W	D	H
3	430	600	700



Product Specifications
 › 3 drawers (model C)

ref.:	W	D	H
5	430	600	700



Product Specifications
 › 4 drawers (model B)
 › 1 drawer (model C)
 › 1 drawer divider (DPG-4)

ref.:	W	D	H
7	430	600	700



Product Specifications
 › 4 drawers (model A)
 › 2 drawers (model B)
 › 1 drawer (model C)
 › 1 drawer divider (DPG-4)

drawer dimensions (see page 30)

Modular cabinets /

ref.: **W** | **D** | **H**
D 430 | 600 | 700



Product Specifications

- › 1 right opening steel door
- › 1 shelf

Modular cabinets /

ref.: **W** | **D** | **H**
J 430 | 600 | 700



Product Specifications

- › 1 left opening steel door
- › 1 shelf
- › 2 drawers (model A)

ref.: **W** | **D** | **H**
E 430 | 600 | 700



Product Specifications

- › 1 left opening steel door
- › 1 shelf

ref.: **W** | **D** | **H**
R 430 | 600 | 700



Product Specifications

- › 1 right opening steel door
- › 1 shelf
- › 2 drawers (model A)

ref.: **W** | **D** | **H**
F 430 | 600 | 700



Product Specifications

- › 1 right opening steel door
- › 1 shelf
- › 1 drawer (model B)
- › 1 drawer divider (DPG-4)

ref.: **W** | **D** | **H**
L 430 | 600 | 700



Product Specifications

- › 1 right opening window door with 3 mm thick tempered glass
- › 1 shelf

ref.: **W** | **D** | **H**
H 430 | 600 | 700



Product Specifications

- › 1 left opening steel door
- › 1 shelf
- › 1 drawer (model B)
- › 1 drawer divider (DPG-4)

ref.: **W** | **D** | **H**
T 430 | 600 | 700



Product Specifications

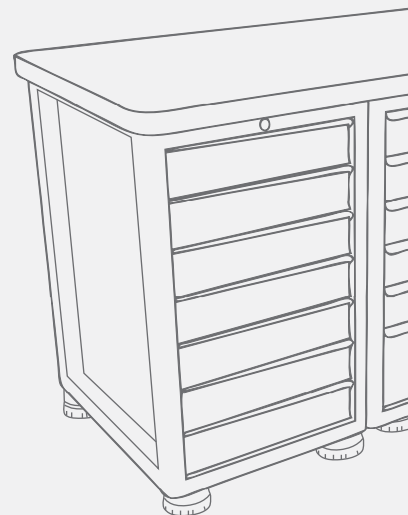
- › 1 left opening window door with 3 mm thick tempered glass
- › 1 shelf



MODULARES Infinity

COMBINATIONS

SIMPLY SELECT THE PRODUCTS THAT FIT YOUR NEEDS AND ORGANIZE YOUR WORKPLACE.



- 1st step: Select the size;
- 2nd step: Select the worktop;
- 3rd step: Select the modular drawer cabinets;
- 4th step: Select the cupboards and upper components;
- 5th step: Select optional accessories.

1 1ST STEP SELECT THE SIZE



1100

1100 x 800 x 870 mm
(height without worktop)



1600

1600 x 730 x 870 mm
(height without worktop)



2200

2200 x 800 x 870 mm
(height without worktop)



2 2ND STEP SELECT THE WORKTOP

ANGELIM
45 mm

references
MA3 (1100 mm)
MA2 (1600 mm)
MA1 (2200 mm)

PINE
45 mm

references
MP3 (1100 mm)
MP2 (1600 mm)
MP1 (2200 mm)

MARINE
PLYWOOD
45 mm

references
MN3 (1100 mm)
MN2 (1600 mm)
MN1 (2200 mm)



**3 3RD STEP
SELECT THE MODULAR DRAWER CABINETS**



QUANTITY OF CABINETS			
size	1100	1600	2200
modular drawer cabinet	1 to 2	1 to 3	1 to 4

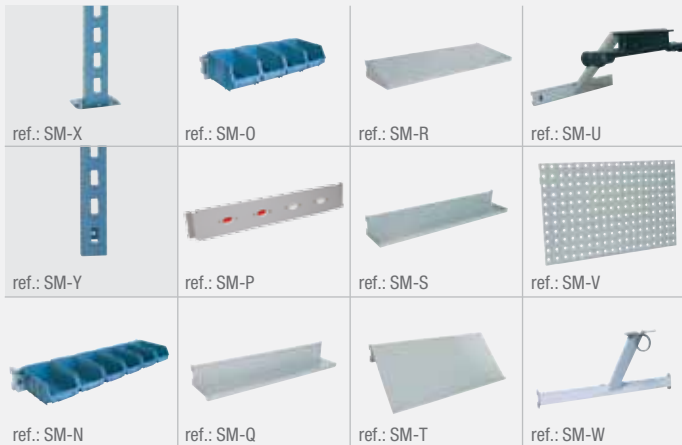
OPTIONAL ACCESSORY	
workbench leg	
ref.: CV-1	



**4 4TH STEP
SELECT THE CUPBOARDS AND UPPER COMPONENTS**



UPPER COMPONENTS (for use with SM-X and SM-Y uprights)




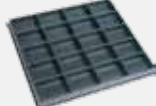




TOOL CABINETS



**5 5TH STEP
SELECT OPTIONAL ACCESSORIES**



Drawer divider	Divider boxes with 8 compartments	Divider boxes with 10 compartments	Divider boxes with 20 compartments	Rubber mat	Caster kit
reference DPG-2	reference VF-4	reference VF-5	reference VF-6	references LB-1 LB-2 LB-3	reference CRM-2
					

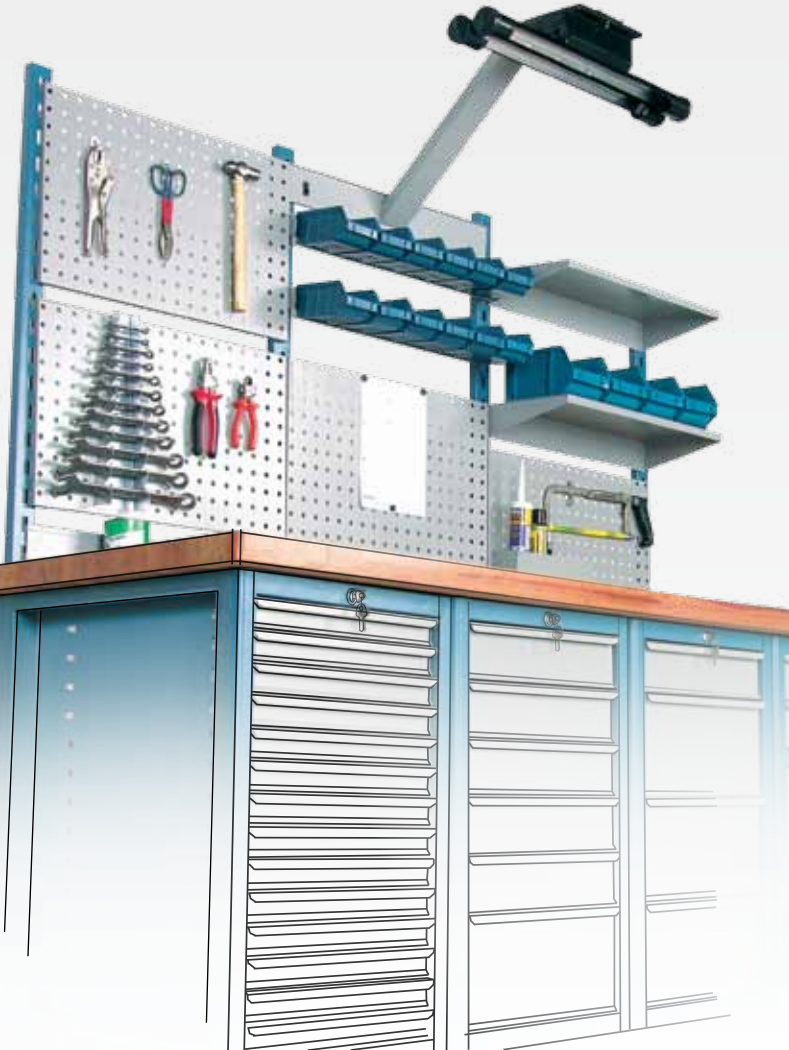


DRAWER CABINET COMBINATIONS

MODULAR DRAWER CABINET

List of accessories for workbenches

WORKBENCHES	ACCESSORIES	CABINET
1	—	—
2	—	—
3	—	AM-6
4	SM-Y(3 pcs.), SM-N(3 pcs.), SM-O(2 pcs.), SM-V, SM-R, SM-Q(2 pcs.)	—
5	—	—
6	—	AM-6
7	SM-Y(4 pcs.), SM-V(2 pcs.), SM-U, SM-N(5 pcs.), SM-O(2 pcs.), SM-T, SM-Q(2 pcs.)	—
8	SM-V(2 pcs.), SM-N(2 pcs.), SM-O, SM-X(3 pcs.), SM-P, SM-Q(2 pcs.), KIT-GS2	—
9	—	AM-7
10	—	AM-7
11	SM-Y(4 pcs.), SM-W, SM-V(2 pcs.), SM-N(5 pcs.), SM-O(2 pcs.), SM-Q(3 pcs.)	—
12	SM-X(4 pcs.), SM-P, SM-N(4 pcs.), SM-O(2 pcs.), SM-R, SM-T, SM-S	AM-5
13	SM-X(4 pcs.), SM-V(4 pcs.), SM-N(2 pcs.), SM-O, SM-P, SM-R, SM-U, KIT-GS2	—
14	SM-Y(8 pcs.), SM-V(3 pcs.), SM-U(2 pcs.), SM-P(2 pcs.), SM-N(6 pcs.), SM-O(5 pcs.), SM-W, SM-S(8 pcs.), SM-T	—



1

Upper Modular Drawer Cabinets
G-6+G-8+G-7+G-14



G-4+GP-1+GP-2+GP-4

1100

7



MA-2+G-4+G-8

1600

12



MP-1+CV-1+G-4+GP-4

2200

2



MN-3+G-8+G-14

3



MN-3+G-14+GP-1

4



MN-3+G-8+GP-2

5



MA-3+GP-4+G-14

6



MN-3+G-8+CV-1

8



MA-2+G-8+GP-1

9



MA-2+GP-2

10



MA-2+G-6+G-7+GP-4

11



MA-2+G-4+G-7+G-8

13



MA-1+G-14+G-6+G-4+GP-2

14



MP-1+G-4+G-7+G-14+GP-4



MODULAR DRAWER CABINETS (DRAWERS AND CUPBOARDS)

Worktops

ref.:	W	D	H
MA-3	1100	800	45
MA-2	1600	730	45
MA-1	2200	800	45



Product Specifications

- › Angelim worktop (two ply panel) finished with varnish

ref.:	W	D	H
MP-3	1100	800	45
MP-2	1600	730	45
MP-1	2200	800	45



Product Specifications

- › Pine worktop (two ply panel) finished with varnish

ref.:	W	D	H
MN-3	1100	800	45
MN-2	1600	730	45
MN-1	2200	800	45



Product Specifications

- › Marine plywood worktop finished with varnish

Accessories

ref.:	W	D	H
CV-1	70	660	870

Combination



Product Specifications

- › Steel workbench leg



CRM-2

Combination



Product Specifications

- › 4" Caster kit for Modular drawer cabinet ref. G-4, G-6, G-7, G-8, G-14, GP-1, GP-2 and GP-4
- › Set of 4 casters:
 - 2 rigid casters
 - 2 swivel casters (1 with brake)



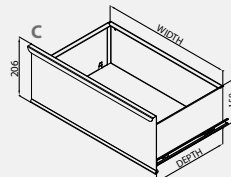
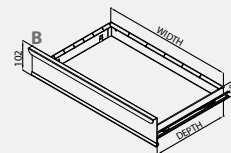
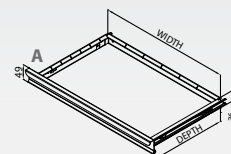
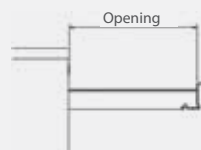
Drawers dimensions

Modular Workbenches

	W	D	H	opening
model A	385	504	49	504
model B	385	504	102	504
model C	385	504	206	504

Modular Drawer Cabinets

	W	D	H	opening
model A	327	504	49	504
model B	327	504	102	504
model C	327	504	206	504



Modular drawer cabinets

ref.: **G-4**

W	D	H
520	600	870



Product Specifications

- › 1 drawer (model B)
- › 3 drawers (model C)
- › 4 adjustable feet
- › 1 drawer divider (DPG-2)

ref.: **G-6**

W	D	H
520	600	870



Product Specifications

- › 5 drawers (model B)
- › 1 drawer (model C)
- › 4 adjustable feet
- › 1 drawer divider (DPG-2)

ref.: **G-7**

W	D	H
520	600	870



Product Specifications

- › 7 drawers (model B)
- › 4 adjustable feet
- › 1 drawer divider (DPG-2)

ref.: **G-8**

W	D	H
520	600	870



Product Specifications

- › 4 drawers (model A)
- › 3 drawers (model B)
- › 1 drawer (model C)
- › 4 adjustable feet
- › 1 drawer divider (DPG-2)

Modular drawer cabinets

ref.: **G-14**

W	D	H
520	600	870



Product Specifications

- › 14 drawers (model A)
- › 4 adjustable feet

ref.: **GP-1**

W	D	H
520	600	870



Product Specifications

- › 1 drawer (model C)
- › 4 adjustable feet
- › 1 adjustable shelf
- › 1 right opening steel door

ref.: **GP-2**

W	D	H
520	600	870



Product Specifications

- › 2 drawers (model B)
- › 1 drawer divider (DPG-2)
- › 4 adjustable feet
- › 1 adjustable shelf
- › 1 right opening steel door

ref.: **GP-4**

W	D	H
520	600	870



Product Specifications

- › 4 drawers (model A)
- › 4 adjustable feet
- › 1 adjustable shelf
- › 1 right opening steel door



WORKSPACE EQUIPMENT is designed for creating tailored and flexible working solutions with high quality.



1
Tool cabinet
ref.: AM-69

2
Bin storage rack
ref.: EP27/5A

3
Tool shelf trolley
ref.: CR-61

4
Steel tool box
ref.: 550

5
Parts washer
ref.: LP-7

6
Mobile ISO cone rack
ref.: PCF-4840

Steel locker
ref.: AM-63 / AM-60 / AM-61

Parts washer
ref.: LP5-1V

ISO cone cabinet
ref.: AM-37

Steel tool box
ref.: 550



7

8

6

9

7

8

9

Steel locker
ref.: AM-65

Computer cabinet
ref.: CR-29

Tool cabinet trolley
ref.: CR-72





Hobby

ref.: **BM-A**

W	D	H
1100	600	880



Product Specifications

- › Marine plywood worktop finished with varnish (30 mm)
- › 1 drawer

Hobby

ref.: **BM-E**

W	D	H
2000	600	880



Product Specifications

- › Marine plywood worktop finished with varnish (30 mm)
- › 2 drawers

ref.: **BM-B**

W	D	H
1500	600	880



Product Specifications

- › Marine plywood worktop finished with varnish (30 mm)
- › 1 drawer

ref.: **BM-F**

W	D	H
2000	800	880



Product Specifications

- › Marine plywood worktop finished with varnish (30 mm)
- › 2 drawers

Hobby

ref.:

W	D	H
3000	600	875

BM-H



Product Specifications

- › 1 OSB Worktop (20 mm)
- › 2 drawers with telescopic slide (drawer cabinet 1C)
- › Includes 1 rubber mat (2 mm)

Dismantable

ref.:

W	D	H
1505	605	890

BM-L



Product Specifications

- › 1 OSB Worktop (20 mm)
- › 2 OSB shelves (20 mm)
- › Includes 1 rubber mat (2 mm)

Dismantable

ref.:

W	D	H
1500	605	890

BM-I



Product Specifications

- › 1 OSB Worktop (20 mm)
- › Includes 1 rubber mat (2 mm)

ref.:

BM-N

W	D	H
2005	605	890



Product Specifications

- › 1 OSB Worktop (20 mm)
- › Includes 1 rubber mat (2 mm)

ref.:

W	D	H
1500	605	890

BM-J



Product Specifications

- › 1 OSB Worktop (20 mm)
- › 1 OSB shelf (20 mm)
- › Includes 1 rubber mat (2 mm)

ref.:

BM-O

W	D	H
2005	605	890



Product Specifications

- › 1 OSB Worktop (20 mm)
- › 1 OSB shelf (20 mm)
- › Includes 1 rubber mat (2 mm)



Dismantable

ref.:

W	D	H
2005	605	890

BM-R



Product Specifications

- › 1 OSB Worktop (20 mm)
- › 2 OSB shelves (20 mm)
- › Includes 1 rubber mat (2 mm)

Dismantable

ref.:

W	D	H
1505	605	1500

BM-U



Product Specifications

- › 1 OSB Worktop (20 mm)
- › 1 OSB shelf (20 mm)
- › Includes 1 rubber mat (2 mm)
- › Pegboard included (Height: 570 mm)

ref.:

W	D	H
1505	605	1500

BM-S



Product Specifications

- › 1 OSB Worktop (20 mm)
- › Includes 1 rubber mat (2 mm)
- › Pegboard included (Height: 570 mm)

ref.:

W	D	H
1505	605	1500

BM-V



Product Specifications

- › 1 OSB Worktop (20 mm)
- › 2 OSB shelves (20 mm)
- › Includes 1 rubber mat (2 mm)
- › Pegboard included (Height: 570 mm)

Mobile workbenches

ref.:

CR-25



Product Specifications

- › Marine plywood worktop finished with varnish (25 mm)
- › 5 drawers with telescopic slide
- › 1 drawer divider (DPG-7)
- › 1 right opening steel door
- › 1 shelf
- › 4" Wheels:
 - 2 rigid casters
 - 2 swivel casters (1 with brake)

ref.:

CR-26

W	D	H
850	530	880



Product Specifications

- › Marine plywood worktop finished with varnish (25 mm)
- › 5 drawers with telescopic slide
- › 1 drawer divider (DPG-7)
- › 1 shelf
- › 4" Wheels:
 - 2 rigid casters
 - 2 swivel casters (1 with brake)

ref.:

CR-60

W	D	H
850	530	880



Product Specifications

- › Marine plywood worktop finished with varnish (25 mm)
- › 7 drawers with telescopic slide
- › 1 drawer divider (DPG-7)
- › 1 right opening steel door
- › 1 shelf
- › 4" Wheels:
 - 2 rigid casters
 - 2 swivel casters (1 with brake)

Mobile workbenches

ref.:

CR-62

W	D	H
1100	810	930



Product Specifications

- › 1 marine plywood worktop finished with varnish (25 mm)
- › 1 marine plywood shelf finished with varnish (25 mm)
- › 6" Wheels:
 - 2 rigid casters
 - 2 swivel casters (1 with brake)

ref.:

CR-66

W	D	H
1100	810	900



Product Specifications

- › 1 marine plywood worktop finished with varnish (25 mm)
- › 1 marine plywood shelf finished with varnish (25 mm)
- › 4" Polyurethane wheels:
 - 2 rigid casters
 - 2 swivel casters (1 with brake)

ref.:

CR-69

W	D	H
1100	525	825



Product Specifications

- › Marine plywood worktop finished with varnish (25 mm)
- › 4 drawers with telescopic slide
- › 1 drawer divider (DPG-1)
- › 1 shelf
- › 6" Wheels:
 - 2 rigid casters
 - 2 swivel casters (1 with brake)

ref.:

CR-70

W	D	H
1100	525	825



Product Specifications

- › Marine plywood worktop finished with varnish (25 mm)
- › 4 drawers with telescopic slide
- › 1 drawer divider (DPG-1)
- › 1 right opening steel door
- › 1 shelf
- › 6" Wheels:
 - 2 rigid casters
 - 2 swivel casters (1 with brake)



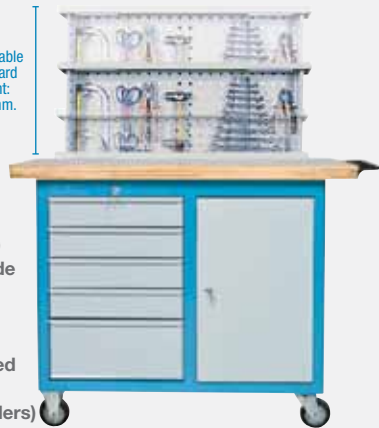
WORKBENCHES & MOBILE WORKBENCHES

Mobile workbenches

ref.:
2002 W | D | H
 1100 | 646 | 900

Retraction of pegboard with shock absorber.

Retractable pegboard height: 600 mm.



Product Specifications

- › Marine plywood worktop finished with varnish (45 mm)
- › 5 drawers with telescopic slide
- › 1 drawer divider (DPG-1)
- › 1 right opening steel door
- › 1 shelf
- › Retractable pegboard included
- › Includes:
 - 1 KIT-GS3 (26 hooks and holders)
- › 4" Wheels:
 - 2 rigid casters
 - 2 swivel casters (1 with brake)

ref.:
2005 W | D | H
 1100 | 525 | 885

Product Specifications

- › Marine plywood worktop finished with varnish (25 mm)
- › 5 drawers with telescopic slide
- › 1 drawer divider (DPG-1)
- › 1 right opening steel door
- › 1 shelf
- › 4" Wheels:
 - 2 rigid casters
 - 2 swivel casters (1 with brake)



Circular saw bench

ref.:
BSM-1 W | D | H
 800 | 600 | 805

Product Specifications

- › Metal rip fence.
- › Suitable for:
 - 2HP motor,
 - double belt pulley: a-70
 - belt: A-38
 - spindle: n°1 - 5/8"
 - saw blade: 300 mm



* Note: does not include spindle, saw blade, pulley, belt, motor.

Workbenches

ref.:
2004 W | D | H
 1100 | 646 | 840

Retraction of pegboard with shock absorber.

Retractable pegboard height: 600 mm.



Product Specifications

- › Marine plywood worktop finished with varnish (45 mm)
- › 5 drawers with telescopic slide
- › 1 drawer divider (DPG-1)
- › 1 right opening steel door
- › 1 shelf
- › Retractable pegboard included
- › Includes:
 - 1 KIT-GS3 (26 hooks and holders)
- › 4 adjustable feet

ref.:
2006 W | D | H
 1100 | 525 | 825

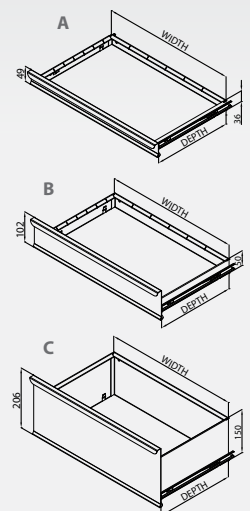
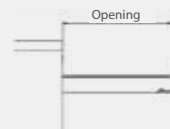
Product Specifications

- › Marine plywood worktop finished with varnish (25 mm)
- › 5 drawers with telescopic slide
- › 1 drawer divider (DPG-1)
- › 1 right opening steel door
- › 1 shelf
- › 4 adjustable feet



Drawer Dimensions

REF.	A	B	C	width	depth	opening
CR-25	-	4	1	305mm	350mm	350mm
CR-26	-	4	1	305mm	350mm	350mm
CR-60	4	2	1	305mm	350mm	350mm
CR-69	-	3	1	385mm	350mm	350mm
CR-70	-	3	1	385mm	350mm	350mm
2002	-	4	1	385mm	350mm	350mm
2004	-	4	1	385mm	350mm	350mm
2005	-	4	1	385mm	350mm	350mm
2006	-	4	1	385mm	350mm	350mm
BM-H	-	2	-	327mm	504mm	504mm





Check all options of workbench and drawer accessories.



Workbench rubber mat

ref.:	W	D	H
LB-1	1100	800	2
LB-2	1600	730	2
LB-3	2200	800	2

dimensions in mm



Product Specifications

- › Workbench rubber mat

Drawer dividers

- ref.:
- DPG-1**
 - DPG-2**
 - DPG-4**
 - DPG-7**



Product Specifications

- › Adjustable galvanized steel drawer partition and dividers
- › For use with (model B)-drawers only

Caster kit

- ref.:
- CRB**



Product Specifications

- › Caster kit for Modular workbench
- › 4" polyurethane wheel
- 2 rigid
- 2 swivel (1 with brake)

Divider boxes

ref.:	W	D	H
VF-4	390	185	65
VF-5	480	185	65
VF-6	345	300	27

dimensions in mm



Product Specifications

- › VF-4: divider boxes with 8 compartments
- › VF-5: divider boxes with 10 compartments
- › VF-6: divider boxes with 20 compartments

Caster kit

- ref.:
- CRM-2**



Product Specifications

- › 4" Caster kit for Modular storage cabinet
- › Set of 4 casters:
 - 2 rigid
 - 2 swivel casters (1 with brake)

- ref.:
- CRBH**
 - CRBH-1**



Product Specifications

- › 4" Polypropylene wheel
- 2 rigid
- 2 swivel (1 with brake)
- CRBH**
- › Caster kit used for Dismantable workbenches models: BM-I, BM-J, BM-L, BM-N, BM-O, BM-R, BM-S, BM-U, and BM-V.
- CRBH-1**
- › Caster kit used for Hobby workbenches models: BM-A, BM-B, BM-E, and BM-F.



ref.:
LP5-2V
LP5A-1V
LP5A-2V

Product Specifications

- › Tank material: galvanized steel (0,65 mm thickness)
- › 4 adjustable feet

- LP5-2V
- › Motor: Electric drain pump 1/6 HP
 - › Voltage: 220 V
 - › Tank capacity: 25 liters

- LP5A-1V (110 v) / LP5A-2V (220 v)
- › Motor: Electric drain pump 35w
 - › Tank capacity: 22 liters



ref.:
LP15-1V **W** | **D** | **H**
750 | 450 | 950
LP15-2V

Product Specifications

- › Tank material: galvanized steel (0,65 mm thickness)
- › 4 adjustable feet

- LP15-1V (110 v) / LP15-2V (220 v)
- › Motor: Electric drain pump 35w
 - › Tank capacity: 22 liters



ref.:
LP7-1V
LP7-2V
LP7A-1V
LP7A-2V

LP7A:
Mobile Parts Washer



Product Specifications

- › Tank material: galvanized steel (0,65 mm thickness)

- LP7-1V (110 v) / LP7-2V (220 v)
- *height: 950 mm
 - › Motor: Electric drain pump 35w
 - › Tank capacity: 22 liters
 - › 4 adjustable feet



- LP7A-1V (110 v) / LP7A-2V (220 v)
- *height: 990 mm
 - › Motor: Electric drain pump 35w
 - › Tank capacity: 22 liters
 - › 3" Wheels:
 - 2 rigid casters
 - 2 swivel casters

ref.:
LP16-1V **W** | **D** | **H**
600 | 450 | 890
LP16-2V

Product Specifications

- › Tank material: galvanized steel (0,65 mm thickness)

- LP16-1V (110 v) / LP16-2V (220 v)
- › Motor: Electric drain pump 35w
 - › Tank capacity: 22 liters



compact
LINE

Portable parts washer

ref.:
LP17-1V **W** | **D** | **H**
600 | 450 | 410
LP17-2V

Product Specifications

- › Tank material: galvanized steel (0,65 mm thickness)

- LP17-1V (110 v) / LP17-2V (220 v)
- › Motor: Electric drain pump 35w
 - › Tank capacity: 22 liters



compact
LINE

ref.:
LP8-1V
LP8-2V

Product Specifications

- › Tank material: galvanized steel (0,65 mm thickness)
- › 4 adjustable feet

- LP8-1V (110 v) / LP8-2V (220 v)
- › Motor: Electric drain pump 35w
 - › Tank capacity: 22 liters



Electric drain pumps

ref.:
BMAQ
E-110
E-220

Product Specifications

- Liquid pump:
- › **Ecolimp** or
 - › 50% Diesel
 - › 50% Kerosene or
 - › Water



BMAQ

- BMAQ (Electric drain pump)
- › Includes single phase electric motor
 - › Voltage 220 v
 - › Power: 1/6 HP
 - › Flow: 42 l/min



E-110/ E-220

- › Power 35 w
- › Flow: 20 l/min
- E-110
- › Voltage 110 v
- E-220
- › Voltage 220 v

ref.:
ECO-1

Ideal for Parts Washers.

Next-generation product, biodegradable, eco-friendly and economical.

Must be diluted with water for degreasing any surfaces, dissolving greasy and oily soils.



DEGREASER WITH BIODEGRADABLE DETERGENTS



- 💧 Non-Toxic
- 💧 Non-flammable
- 💧 Odorless
- 💧 Skin friendly

› Yields up to 42 liters per container

Dilution:

› FOR LIGHT SOILING:

Ecolimp should be used at a dilution of 20:1 with water

› FOR HEAVY SOILING:

Ecolimp should be used at a dilution of 10:1 with water

NOTE: Higher or lower concentration does not improve the final result.



Formulation:

- Contains no solvents;
- Does not contain petroleum distillates;
- Does not contain d-Limonene solvent;
- No rinsing required.



Saturated solution must be thrown in the appropriate place before collecting recyclable waste.



PEGBOARDS AND TOOL CABINETS

Pegboards

ref.:	W	H
PM-A	575	375
PM-B	725	575



* does not include holder set

ref.:	W	H
PM-M	970	970
PM-P	640	970



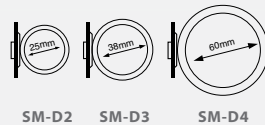
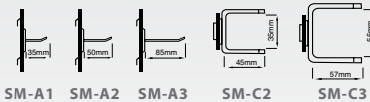
* does not include holder set

Hook and holder set

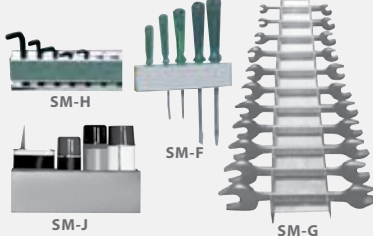
ref.:
Kit-GS1
Kit-GS2
Kit-GS3

REF.	KIT-GS1	KIT-GS2	KIT-GS3
SM-A1	10 pcs	5 pcs	15 pcs
SM-A2	10 pcs	5 pcs	—
SM-A3	10 pcs	5 pcs	—
SM-C2	3 pcs	2 pcs	4 pcs
SM-C3	3 pcs	2 pcs	—
SM-D2	2 pcs	1 pc	2 pcs
SM-D3	2 pcs	1 pc	2 pcs
SM-D4	2 pcs	1 pc	—
SM-F	1 pc	1 pc	1 pc
SM-G	1 pc	1 pc	1 pc
SM-H	1 pc	1 pc	1 pc
SM-J	1 pc	1 pc	—
TOTAL	46 pcs	26 pcs	26 pcs

HOOKS



TOOL HOLDERS



Small cabinets

ref.:	W	D	H
AR-2	560	230	600



Product Specifications

- > 1 right opening steel door
- > 2 drawers
- > 1 rigid shelf

ref.:	W	D	H
AR-3	560	230	600



Product Specifications

- > 1 right opening window door with 3 mm thick tempered glass
- > 2 drawers
- > 1 rigid shelf

ref.:	W	D	H
AR-4	560	230	600



Product Specifications

- > 1 right opening steel door
- > 1 rigid shelf

ref.:	W	D	H
AR-5	560	230	600



Product Specifications

- > 1 right opening window door with 3 mm thick tempered glass
- > 1 rigid shelf

Medium cabinets

ref.:

W	D	H
650	230	980

AM-2



Product Specifications

- › Steel doors
- › 4 drawers
- › Bottom shelf with dividers

ref.:

W	D	H
650	230	980

AM-3
AM-4



Product Specifications

- › Steel doors
- AM-3
- › 2 rigid shelves
- › Bottom shelf with dividers
- AM-4
- › 2 rigid shelves

ref.:

W	D	H
650	230	980

AM-5



PVC door



Product Specifications

- › Rolling shutter PVC door
- › Includes pegboard
- › Includes: 1 Kit-GS2 (26 hooks and holders)

ref.:

W	D	H
650	230	980

AM-54



Product Specifications

- › Steel doors with pegboard stiffening the door
- › Includes pegboard
- › Includes: 1 Kit-GS2 (26 hooks and holders)

Medium cabinets

ref.:

W	D	H
650	230	980

AM-43



Product Specifications

- › Window doors with 3 mm thick tempered glass
- › 4 drawers
- › 1 rigid shelf
- › Bottom shelf with dividers

ref.:

W	D	H
650	230	980

AM-44



Product Specifications

- › Window doors with 3 mm thick tempered glass
- › 2 rigid shelves
- › Bottom shelf with dividers

ref.:

W	D	H
650	230	980

AM-45



Product Specifications

- › Window doors with 3 mm thick tempered glass
- › 2 rigid shelves

ref.:

W	D	H
650	230	980

AM-46



Product Specifications

- › Window doors with 3 mm thick tempered glass
- › Includes pegboard
- › Includes: 1 Kit-GS2 (26 hooks and holders)



TOOL CABINETS

Medium cabinets

ref.: **AM-79** **W** | **D** | **H**
650 | 230 | 980



Product Specifications

- › Steel doors
- › 4 rigid shelves

ref.: **AM-6** **W** | **D** | **H**
1000 | 210 | 900

PVC door



Product Specifications

- › Rolling shutter PVC door
- › Includes pegboard
- › Padlock hasp
- › Inner light
- › Includes: 1 Kit-GS1 (46 hooks and holders)

ref.: **AM-7** **W** | **D** | **H**
1500 | 210 | 900

PVC door



Product Specifications

- › Rolling shutter PVC door
- › Includes pegboard
- › Padlock hasp
- › Inner light
- › Includes: 1 Kit-GS1 (46 hooks and holders)

Medium cabinets

ref.: **AM-8** **W** | **D** | **H**
1500 | 210 | 600



Product Specifications

- › Steel doors with pegboard stiffening the door
- › Includes pegboard
- › 1 shelf
- › Includes: 1 Kit-GS2 (26 hooks and holders)

ref.: **AM-9** **W** | **D** | **H**
1000 | 210 | 600



Product Specifications

- › Steel doors with pegboard stiffening the door
- › Includes pegboard
- › Includes: 1 Kit-GS2 (26 hooks and holders)

ref.: **AM-51** **W** | **D** | **H**
1500 | 210 | 600



Product Specifications

- › Window doors with 3 mm thick tempered glass
- › 1 shelf
- › Includes pegboard
- › Includes: 1 Kit-GS2 (26 hooks and holders)

ref.: **AM-52** **W** | **D** | **H**
1000 | 210 | 600



Product Specifications

- › Window doors with 3 mm thick tempered glass
- › Includes pegboard
- › Includes: 1 Kit-GS2 (26 hooks and holders)

Large Cabinets

ref.: **AM-40** $\frac{W}{640} \frac{D}{500} \frac{H}{1740}$



Product Specifications

- › Window door with 3 mm thick tempered glass
- › 5 shelves (capacity: 60kg per shelf)
- › 4 adjustable feet

Large Cabinets

ref.: **AM-42** $\frac{W}{640} \frac{D}{500} \frac{H}{1740}$



Product Specifications

- › Window door with 3 mm thick tempered glass
- › 5 drawers
- › 1 drawer divider (DPG-1)
- › 2 shelves (capacity: 60kg per shelf)
- › 4 adjustable feet

ref.: **AM-41** $\frac{W}{640} \frac{D}{500} \frac{H}{1740}$



Product Specifications

- › Window door with 3 mm thick tempered glass
- › Includes pegboard
- › 5 drawers
- › 1 drawer divider (DPG-1)
- › 4 adjustable feet
- › Includes:
 - 1 Kit-GS2 (26 hooks and holders)

ref.: **AM-10** $\frac{W}{1200} \frac{D}{500} \frac{H}{1740}$



Product Specifications

- › Window doors with 3 mm thick tempered glass
- › 5 shelves (capacity: 60kg per shelf)
- › 4 adjustable feet



TOOL CABINETS

Large Cabinets

ref.: **AM-11** $\frac{W}{1200}$ $\frac{D}{500}$ $\frac{H}{1740}$



Product Specifications

- › Steel doors
- › 5 shelves (capacity: 60kg per shelf)
- › 4 adjustable feet

Large Cabinets

ref.: **AM-13** $\frac{W}{1200}$ $\frac{D}{500}$ $\frac{H}{1740}$



Product Specifications

- › Steel doors
- › Includes pegboard
- › 5 drawers
- › 1 drawer divider (DPG-1)
- › 1 shelf (capacity: 60kg)
- › 4 adjustable feet
- › Includes:
 - 1 Kit-GS1 (46 hooks and holders)

ref.: **AM-12** $\frac{W}{1200}$ $\frac{D}{500}$ $\frac{H}{1740}$



Product Specifications

- › Window doors with 3 mm thick tempered glass
- › Includes pegboard
- › 5 drawers
- › 1 drawer divider (DPG-1)
- › 1 shelf (capacity: 60kg)
- › 4 adjustable feet
- › Includes:
 - 1 Kit-GS1 (46 hooks and holders)

ref.: **AM-14** $\frac{W}{1200}$ $\frac{D}{500}$ $\frac{H}{1740}$



Product Specifications

- › Window doors with 3 mm thick tempered glass
- › 5 drawers
- › 1 drawer divider (DPG-1)
- › 3 shelves (capacity: 60kg per shelf)
- › 4 adjustable feet

Large Cabinets

ref.: **AM-15** W | D | H
 1200 | 500 | 1740



Product Specifications

- › Steel doors
- › 5 drawers
- › 1 drawer divider (DPG-1)
- › 3 shelves (capacity: 60kg per shelf)
- › 4 adjustable feet

Large Cabinets

ref.: **AM-69** W | D | H
 1200 | 500 | 1740



Product Specifications

- › Window doors with 3 mm thick tempered glass
- › Includes pegboard
- › 9 drawers
- › 2 drawer dividers (DPG-6)
- › 3 shelves (capacity: 60kg per shelf)
- › 4 adjustable feet
- › Includes:
 - 1 Kit-GS2 (26 hooks and holders)

ref.: **AM-68** W | D | H
 1200 | 500 | 1740



Product Specifications

- › Window doors with 3 mm thick tempered glass
- › Includes pegboard
- › 9 drawers
- › 2 drawer dividers (DPG-6)
- › 4 adjustable feet
- › Includes:
 - 1 Kit-GS1 (46 hooks and holders)

ref.: **AM-70** W | D | H
 1200 | 500 | 1740



Product Specifications

- › Window doors with 3 mm thick tempered glass
- › 9 drawers
- › 2 drawer dividers (DPG-6)
- › 3 shelves (capacity: 60kg per shelf)
- › 4 adjustable feet



COMPACT LINE Large Cabinets

ref.: **AM-71** W | D | H
900 | 370 | 1855



Product Specifications

- › Steel doors
- › 4 adjustable shelves (capacity: 50kg per shelf)
- › 4 adjustable feet

compact LINE

COMPACT LINE Large Cabinets

ref.: **AM-74** W | D | H
900 | 370 | 1855



Product Specifications

- › Window doors with 3 mm thick tempered glass
- › Includes pegboard
- › 2 adjustable shelves (capacity: 50kg per shelf)
- › 4 adjustable feet
- › Includes: 1 Kit-GS1 (46 hooks and holders)

compact LINE

ref.: **AM-72** W | D | H
900 | 370 | 1855



Product Specifications

- › Window doors with 3 mm thick tempered glass
- › 4 adjustable shelves (capacity: 50kg per shelf)
- › 4 adjustable feet

compact LINE

ref.: **AM-75** W | D | H
900 | 370 | 1855



Product Specifications

- › Steel doors
- › 2 adjustable shelves (capacity: 50kg per shelf)
- › 1 rigid shelf (capacity: 50 kg)
- › 3 drawers with telescopic slide
- › 4 adjustable feet

compact LINE

ref.: **AM-73** W | D | H
900 | 370 | 1855



Product Specifications

- › Steel doors
- › Includes pegboard
- › 2 adjustable shelves (capacity: 50kg per shelf)
- › 4 adjustable feet
- › Includes: 1 Kit-GS1 (46 hooks and holders)

compact LINE

ref.: **AM-76** W | D | H
900 | 370 | 1855



Product Specifications

- › Window doors with 3 mm thick tempered glass
- › 2 adjustable shelves (capacity: 50kg per shelf)
- › 1 rigid shelf (capacity: 50 kg)
- › 4 adjustable feet

compact LINE

Large Cabinets /

ref.:

W	D	H
640	300	1740

AM-47



Product Specifications

- › Window door with 3 mm thick tempered glass
- › 66 blue plastic bins n°3
- › 4 adjustable feet

ref.:

W	D	H
640	300	1740

AM-48



Product Specifications

- › Window door with 3 mm thick tempered glass
- › 40 blue plastic bins n° 5
- › 4 adjustable feet

ref.:

W	D	H
640	500	1740

AM-49



Product Specifications

- › Window door with 3 mm thick tempered glass
- › 26 blue plastic bins n°7
- › 4 adjustable feet

Large Cabinets /

ref.:

W	D	H
640	500	1740

AM-50



Product Specifications

- › Steel door
- › 20 blue plastic bins n° 3
- › 20 blue plastic bins n° 5
- › 12 blue plastic bins n° 7
- › 4 adjustable feet

ref.:

W	D	H
640	300	1740

AM-53



Product Specifications

- › Window door with 3 mm thick tempered glass
- › 30 blue plastic bins n°3
- › 20 blue plastic bins n°5
- › 4 adjustable feet



BIN STORAGE CABINETS AND MOBILE BIN RACKS

COMPACT LINE Large Cabinets

ref.:

W	D	H
900	370	1855

AM-77



Product Specifications

- › Steel doors
- › 2 adjustable shelves (capacity: 50 kg per shelf)
- › 21 blue plastic bins n° 3
- › 12 blue plastic bins n° 5
- › 4 adjustable feet

**compact
LINE**

Mobile bin racks

ref.:

W	D	H
1060	480	1340

CR-64

front view



Product Specifications

- › 60 blue plastic bins n° 5
- › 4" Wheels:
 - 2 rigid casters
 - 2 swivel casters (1 with brake)



ref.:

W	D	H
900	370	1855

AM-78



Product Specifications

- › Window doors with 3 mm thick tempered glass
- › 2 adjustable shelves (capacity: 50 kg per shelf)
- › 21 blue plastic bins n° 3
- › 12 blue plastic bins n° 5
- › 4 adjustable feet

**compact
LINE**

ref.:

W	D	H
1060	680	1340

CR-65

front view



Product Specifications

- › 54 blue plastic bins n° 3
- › 36 blue plastic bins n° 5
- › 8 blue plastic bins n° 7
- › 4" Wheels:
 - 2 rigid casters
 - 2 swivel casters (1 with brake)



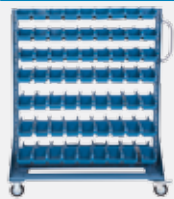
Mobile bin racks

ref.:

W	D	H
1060	480	1340

CR-63

front view



Product Specifications

- › 126 blue plastic bins n° 3
- › 4" Wheels:
 - 2 rigid casters
 - 2 swivel casters (1 with brake)

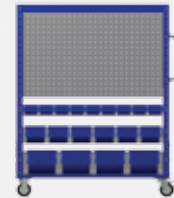


ref.:

W	D	H
1060	680	1340

CR-77

front view



Product Specifications

- › Includes pegboard
- › 18 blue plastic bins n° 3
- › 12 blue plastic bins n° 5
- › 8 blue plastic bins n° 7
- › 4" Wheels:
 - 2 rigid casters
 - 2 swivel casters (1 with brake)



1 Wide Lockers

ref.:	W	D	H
AM-55	304	400	1850



Product Specifications

- > 1 wide
- > 1 opening
- > 1 clothes rail
- > 4 adjustable feet

1 Wide Lockers

ref.:	W	D	H
AM-58	304	400	1850



Product Specifications

- > 1 wide
- > 8 openings
- > 4 adjustable feet

ref.:	W	D	H
AM-56	304	400	1850



Product Specifications

- > 1 wide
- > 2 openings
- > 4 adjustable feet

ref.:	W	D	H
AM-59	404	500	1850



Product Specifications

- > 1 wide
- > 1 opening
- > 1 clothes rail
- > 4 adjustable feet

ref.:	W	D	H
AM-57	304	400	1850



Product Specifications

- > 1 wide
- > 4 openings
- > 4 adjustable feet

ref.:	W	D	H
AM-60	404	500	1850



Product Specifications

- > 1 wide
- > 2 openings
- > 4 adjustable feet

ref.:	W	D	H
AM-61	404	500	1850



Product Specifications

- > 1 wide
- > 4 openings
- > 4 adjustable feet



STEEL LOCKERS

1 Wide Lockers

ref.:

W	D	H
404	500	1850

AM-62



Product Specifications

- › 1 wide
- › 8 openings
- › 4 adjustable feet

2 Wide Lockers

ref.:

W	D	H
640	500	1740

AM-65



Product Specifications

- › 2 wide
- › 6 openings
- › 4 adjustable feet

ref.:

W	D	H
404	500	1850

AM-63



Product Specifications

- › 1 wide
- › 1 opening
- › 5 adjustable shelves
- › 1 clothes rail
- › 4 adjustable feet

ref.:

W	D	H
640	500	1740

AM-66



Product Specifications

- › 2 wide
- › 3 openings
- › 1 clothes rail
- › 4 adjustable feet

ref.:

W	D	H
404	500	1850

AM-64



Product Specifications

- › 1 wide
- › 2 openings
- › 4 adjustable shelves
- › 2 clothes rail
- › 4 adjustable feet

ref.:

W	D	H
640	500	1740

AM-67



Product Specifications

- › 2 wide
- › 3 openings
- › 3 adjustable shelves
- › 1 clothes rail
- › 4 adjustable feet

Bench seat for lockers

ref.:	W	D	H
SBM-1	670	804	550
SBM-2	870	904	550



Product Specifications

- › 4 adjustable feet
- › Seat material: steel

- SBM-1:**
- › Bench seat for 2 lockers (locker length: 304 mm)
- SBM-2:**
- › Bench seat for 2 lockers (locker length: 404 mm)



ref.:	W	D	H
SBM-3	973	804	550
SBM-4	1273	904	550



Product Specifications

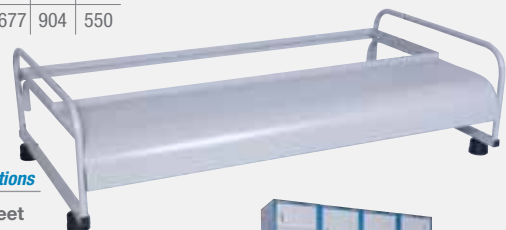
- › 4 adjustable feet
- › Seat material: steel

- SBM-3:**
- › Bench seat for 3 lockers (locker length: 304 mm)
- SBM-4:**
- › Bench seat for 3 lockers (locker length: 404 mm)



Bench seat for lockers

ref.:	W	D	H
SBM-5	1277	804	550
SBM-6	1677	904	550



Product Specifications

- › 4 adjustable feet
- › Seat material: steel

- SBM-5:**
- › Bench seat for 4 lockers (locker length: 304 mm)
- SBM-6:**
- › Bench seat for 4 lockers (locker length: 404 mm)



Basic bench

ref.:	W	D	H
SBM-7	1277	391	550
SBM-8	1677	391	550



Product Specifications

- › 4 adjustable feet
- › Seat material: steel

Coat rack bench

ref.:	W	D	H
SBM-9	1277	391	1865
SBM-10	1677	391	1865



Product Specifications

- › 4 adjustable feet
- › Seat material: steel



ISO CONE CABINETS

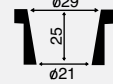
Medium cabinets

ref.:	W	D	H
ACV2450	650	230	980
ACV3040			
ACV3630			

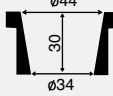
ACV2450
ACV3040
ACV3630



ISO-30 cone



ISO-40 cone



ISO-50 cone



Product Specifications

- › Window doors with 3 mm thick tempered glass
- › 3 shelves (capacity: 40 kg per shelf)

ACV2450: 24 ISO-50 cones
ACV3040: 30 ISO-40 cones
ACV3630: 36 ISO-30 cones

Large cabinets

ref.:	W	D	H
AM-37	640	500	1740
AM-38			
AM-39			

AM-37
AM-38
AM-39

Product Specifications

- › Window door with 3 mm thick tempered glass
- › 2 shelves with telescopic slides (capacity: 30 kg per shelf)
- › 5 drawers
- › 1 drawer divider (DPG-1)
- › 4 adjustable feet

AM-37: 48 ISO-30 cones
AM-38: 40 ISO-40 cones
AM-39: 24 ISO-50 cones

telescopic slides



ref.:	W	D	H
ACM2450	650	230	980
ACM3040			
ACM3630			

ACM2450
ACM3040
ACM3630



Product Specifications

- › Steel doors
- › 3 shelves (capacity: 40 kg per shelf)

ACM2450: 24 ISO-50 cones
ACM3040: 30 ISO-40 cones
ACM3630: 36 ISO-30 cones

ref.:	W	D	H
AM-16	1200	500	1740
AM-17			
AM-18			

AM-16
AM-17
AM-18

Product Specifications

- › Window doors with 3 mm thick tempered glass
- › 3 adjustable shelves (capacity: 150 kg per shelf)
- › 4 adjustable feet

AM-16: 108 ISO-30 cones
AM-17: 90 ISO-40 cones
AM-18: 72 ISO-50 cones



Large cabinets

ref.:	W	D	H
AM-34	640	500	1740
AM-35			
AM-36			

AM-34
AM-35
AM-36

Product Specifications

- › Window door with 3 mm thick tempered glass
- › 4 shelves with telescopic slides (capacity: 30 kg per shelf)
- › 4 adjustable feet

AM-34: 96 ISO-30 cones
AM-35: 80 ISO-40 cones
AM-36: 48 ISO-50 cones

telescopic slides



ref.:	W	D	H
AM-19	1200	500	1740
AM-20			
AM-21			

AM-19
AM-20
AM-21

Product Specifications

- › Steel doors
- › 3 adjustable shelves (capacity: 150 kg per shelf)
- › 4 adjustable feet

AM-19: 108 ISO-30 cones
AM-20: 90 ISO-40 cones
AM-21: 72 ISO-50 cones



ref.: **PCG2450**
PCG3040
PCG3630

W	D	H
665	800	1140



Product Specifications

- › 4" Wheels:
 - 2 rigid casters
 - 2 swivel casters (1 with brake)

PCG2450
 › 24 ISO-50 cones

PCG3040
 › 30 ISO-40 cones

PCG3630
 › 36 ISO-30 cones

ref.: **PCG4050**
PCG5040
PCG6030

W	D	H
665	800	1140



Product Specifications

- › 4" Wheels:
 - 2 rigid casters
 - 2 swivel casters (1 with brake)

PCG4050
 › 40 ISO-50 cones

PCG5040
 › 50 ISO-40 cones

PCG6030
 › 60 ISO-30 cones

ref.: **PCG3250**
PCG4040
PCG4830

W	D	H
665	800	1160



Product Specifications

- › 4" Wheels:
 - 2 rigid casters
 - 2 swivel casters (1 with brake)

PCG3250
 › 32 ISO-50 cones

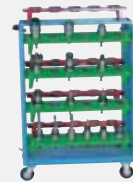
PCG4040
 › 40 ISO-40 cones

PCG4830
 › 48 ISO-30 cones

ref.: **PCF4050**
PCF4840
PCF5630

W	D	H
760	540	1065

removable trays



Product Specifications

- › 4" Wheels:
 - 2 rigid casters
 - 2 swivel casters (1 with brake)

PCF4050
 › 40 ISO-50 cones

PCF4840
 › 48 ISO-40 cones

PCF5630
 › 56 ISO-30 cones



BIN STORAGE RACKS



EP

Bin storage racks (welded type)

- Assembly: welded frame with top and bottom shelves secured with 8 bolts.
- Material: steel (1,20 mm).
- Gray Epoxy Coating.



EM/EF

Bin storage racks (screw-type)

- Dismantable storage racks: uprights and rails are secured with bolts.
- Material: steel (1,20 mm / type EF).
- Material: steel (2,00 mm / type EM).
- Gray Epoxy Coating.



EI

Stainless steel bin storage racks

- Screw-type.
- Dismantable storage racks: uprights and rails are secured with bolts.
- Stainless Steel thickness: 1 mm.

Plastic bins available in 7 different colors:

color	blue	black	white	yellow	orange	green	red
reference	A	P	B	AM	L	VD	V

ref.:

W	D	H
715	350	750

EP9/7A
EP9/7P
EM9/7A
EM9/7P
EF9/7A
EF9/7P
EF9/7B
EF9/7AM
EF9/7L
EF9/7VD
EF9/7V



Product Specifications

› 9 plastic bins n° 7

ref.:

W	D	H
715	350	1500

EP21/7A
EP21/7P
EM21/7A
EM21/7P
EF21/7A
EF21/7P
EF21/7B
EF21/7AM
EF21/7L
EF21/7VD
EF21/7V



Product Specifications

› 21 plastic bins n° 7

ref.:

W	D	H
510	250	750

EP12/5A
EP12/5P
EM12/5A
EM12/5P
EF12/5A
EF12/5P
EF12/5B
EF12/5AM
EF12/5L
EF12/5VD
EF12/5V



Product Specifications

› 12 plastic bins n° 5

ref.:

W	D	H
510	250	1500

EP27/5A
EP27/5P
EM27/5A
EM27/5P
EF27/5A
EF27/5P
EF27/5B
EF27/5AM
EF27/5L
EF27/5VD
EF27/5V



Product Specifications

› 27 plastic bins n° 5

ref.:

W	D	H
590	175	750

EP30/3A
EP30/3P
EM30/3A
EM30/3P
EF30/3A
EF30/3P
EF30/3B
EF30/3AM
EF30/3L
EF30/3VD
EF30/3V



Product Specifications

› 30 plastic bins n° 3

ref.:

W	D	H
590	175	1500

EP60/3A
EP60/3P
EM60/3A
EM60/3P
EF60/3A
EF60/3P
EF60/3B
EF60/3AM
EF60/3L
EF60/3VD
EF60/3V



Product Specifications

› 60 plastic bins n° 3

ref.:

W	D	H
965	350	1500

EP28/7A
EP28/7P
EM28/7A
EM28/7P
EF28/7A
EF28/7P



Product Specifications

› 28 plastic bins n° 7

ref.:

W	D	H
1007	350	1200

EP49A
EP49P
EM49A
EM49P
EF49A
EF49P



Product Specifications

› 27 plastic bins n° 3
 › 18 plastic bins n° 5
 › 4 plastic bins n° 7

ref.:

W	D	H
1007	250	1500

EP54/5A
EP54/5P
EM54/5A
EM54/5P
EF54/5A
EF54/5P



Product Specifications

› 54 plastic bins n° 5



BIN STORAGE RACKS

ref.:

W	D	H
1630	350	1200

EP82A
EP82P
EM82A
EM82P
EF82A
EF82P



Product Specifications

- › 45 plastic bins n° 3
- › 30 plastic bins n° 5
- › 7 plastic bins n° 7

ref.:

W	D	H
1007	175	1500

EP108/3A
EP108/3P
EM108/3A
EM108/3P
EF108/3A
EF108/3P



Product Specifications

- › 108 plastic bins n° 3

Stackable Baskets

ref.:

W	D	H
430	320	195

8P
10A



8P



10A

ref.:

W	D	H
572	385	230

9P
11A



9P



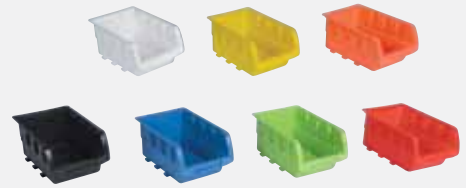
11A

Plastic bins

ref.:

W	D	H
105	160	80

3A
3P
3B
3AM
3L
3VD
3V



Product Specifications

- › Plastic bin n° 3

ref.:

W	D	H
145	230	120

5A
5P
5B
5AM
5L
5VD
5V



Product Specifications

- › Plastic bin n° 5

ref.:

W	D	H
210	325	170

7A
7P
7B
7AM
7L
7VD
7V



Product Specifications

- › Plastic bin n° 7

Bin Systems

Product Specifications

Exclusive bin systems

- Stackable Bins:**
 - › When there are contents in the bins they will stack for easy access and storage
- Interlocking Bins:**
 - › When they are empty they will fit inside each other for easy transportation (allow up to a 40% increase in storage capacity)



Stackable Bins



Interlocking Bins

ref.:
E112/5B **W** | **D** | **H**
510 | 250 | 750

stainless
steel



Product Specifications

- › Made of stainless steel
- › 12 white plastic bins n°5

ref.:
E130/3B **W** | **D** | **H**
590 | 175 | 750

stainless
steel



Product Specifications

- › Made of stainless steel
- › 30 white plastic bins n°3

ref.:
E127/5B **W** | **D** | **H**
510 | 250 | 1500

stainless
steel



Product Specifications

- › Made of stainless steel
- › 27 white plastic bins n°5

ref.:
E160/3B **W** | **D** | **H**
590 | 175 | 1500

stainless
steel



Product Specifications

- › Made of stainless steel
- › 60 white plastic bins n°3



STEEL SHELVINGS (BOLTLESS)



Boltless

ref.:
PDP-4 $\frac{W}{805} \frac{D}{405} \frac{H}{1970} \frac{C}{400^*}$
 * overall capacity



Product Specifications

- › 4 shelves with OSB worktop (12 mm)
- › Capacity: up to 100 kg per shelf
- › Steel thickness: 1,20 mm

ref.:
PDG-4 $\frac{W}{805} \frac{D}{605} \frac{H}{1970} \frac{C}{400^*}$
 * overall capacity



Product Specifications

- › 4 shelves with OSB worktop (12 mm)
- › Capacity: up to 100 kg per shelf
- › Steel thickness: 1,20 mm

ref.:
PDP-5 $\frac{W}{805} \frac{D}{405} \frac{H}{1970} \frac{C}{500^*}$
 * overall capacity



Product Specifications

- › 5 shelves with OSB worktop (12 mm)
- › Capacity: up to 100 kg per shelf
- › Steel thickness: 1,20 mm

ref.:
PDG-5 $\frac{W}{805} \frac{D}{605} \frac{H}{1970} \frac{C}{500^*}$
 * overall capacity



Product Specifications

- › 5 shelves with OSB worktop (12 mm)
- › Capacity: up to 100 kg per shelf
- › Steel thickness: 1,20 mm

ref.:
PDP-6 $\frac{W}{805} \frac{D}{405} \frac{H}{1970} \frac{C}{600^*}$
 * overall capacity



Product Specifications

- › 6 shelves with OSB worktop (12 mm)
- › Capacity: up to 100 kg per shelf
- › Steel thickness: 1,20 mm

ref.:
PDG-6 $\frac{W}{805} \frac{D}{605} \frac{H}{1970} \frac{C}{600^*}$
 * overall capacity



Product Specifications

- › 6 shelves with OSB worktop (12 mm)
- › Capacity: up to 100 kg per shelf
- › Steel thickness: 1,20 mm



Screw Type

ref.: **PT-4** **W** | **D** | **H** | **C**
 1005 | 405 | 2005 | 2000*
 * overall capacity



Product Specifications

- › 4 shelves with OSB worktop (20 mm)
- › Capacity: up to 500 kg per shelf
- › Steel thickness: 2 mm

ref.: **PG-4** **W** | **D** | **H** | **C**
 1005 | 605 | 2005 | 2000*
 * overall capacity



Product Specifications

- › 4 shelves with OSB worktop (20 mm)
- › Capacity: up to 500 kg per shelf
- › Steel thickness: 2 mm

ref.: **PT-5** **W** | **D** | **H** | **C**
 1005 | 405 | 2005 | 2500*
 * overall capacity



Product Specifications

- › 5 shelves with OSB worktop (20 mm)
- › Capacity: up to 500 kg per shelf
- › Steel thickness: 2 mm

ref.: **PG-5** **W** | **D** | **H** | **C**
 1005 | 605 | 2005 | 2500*
 * overall capacity



Product Specifications

- › 5 shelves with OSB worktop (20 mm)
- › Capacity: up to 500 kg per shelf
- › Steel thickness: 2 mm

ref.: **PT-6** **W** | **D** | **H** | **C**
 1005 | 405 | 2005 | 3000*
 * overall capacity



Product Specifications

- › 6 shelves with OSB worktop (20 mm)
- › Capacity: up to 500 kg per shelf
- › Steel thickness: 2 mm

ref.: **PG-6** **W** | **D** | **H** | **C**
 1005 | 605 | 2005 | 3000*
 * overall capacity



Product Specifications

- › 6 shelves with OSB worktop (20 mm)
- › Capacity: up to 500 kg per shelf
- › Steel thickness: 2 mm



STAINLESS STEEL DISMANTABLE SHELVINGS

Stainless steel shelvings |

ref.:

W	D	H
885	485	1520

PI-1

**stainless
steel**



Product Specifications

- › 4 feet
- › Capacity: up to 120 kg

Stainless steel mobile shelvings |

ref.:

W	D	H
885	485	1630

PI-3

**stainless
steel**



Product Specifications

- › Capacity: up to 120 kg
- › Stainless Steel push handle included
- › 4" nylon wheels:
 - 2 rigid casters
 - 2 swivel casters (1 with brake)

ref.:

W	D	H
885	485	1520

PI-2

**stainless
steel**



Product Specifications

- › 4 feet
- › Capacity: up to 120 kg
- › Fully clad back and sides

ref.:

W	D	H
885	485	1630

PI-4

**stainless
steel**



Product Specifications

- › Capacity: up to 120 kg
- › Fully clad back and sides
- › Stainless Steel push handle included
- › 4" nylon wheels:
 - 2 rigid casters
 - 2 swivel casters (1 with brake)

ref.:	W	H	C
	stepladder/extension ladder		
EM-T6	376	2090/3595	110*
			* capacity on each side

Stepladder



Single ladder



Extension ladder



Extension ladder

Product Specifications

- › Space between feet: 476 mm
- › Stepladder: 6 steps (height: 2090 mm)
- › Extension ladder: 11 steps (height: 3595 mm)

ref.:	W	H	C
	stepladder/extension ladder		
EM-T7	376	2380/3885	110*
			* capacity on each side

step dimensions

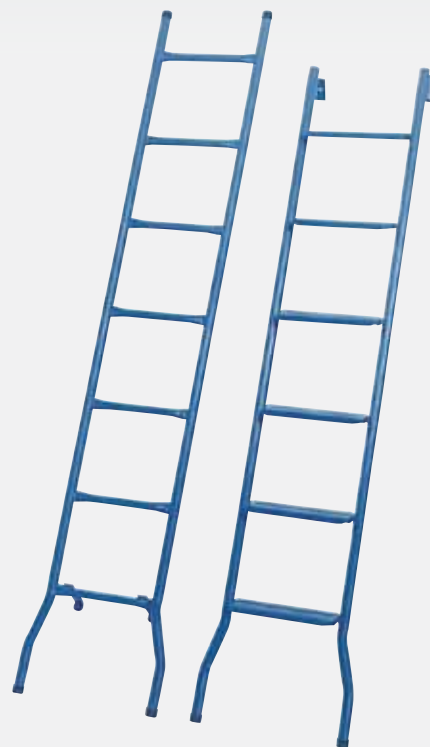


Stepladder

Product Specifications

- › Space between feet: 476 mm
- › Stepladder: 7 steps (height: 2380 mm)
- › Extension ladder: 13 steps (height: 3885 mm)

ref.:	W	H	C
	stepladder/extension ladder		
EM-T8	376	2670/4175	110*
			* capacity on each side



Single ladder

Product Specifications

- › Space between feet: 476 mm
- › Stepladder: 8 steps (height: 2670 mm)
- › Extension ladder: 15 steps (height: 4175 mm)



Computer cabinets

ref.:

W	D	H
700	600	1620

CR-29

upper locking compartment



ventilation louver



Product Specifications

- UPPER COMPARTMENT**
- › 1 right opening window door with 3 mm thick tempered glass
 - › Pull-out keyboard drawer

LOWER COMPARTMENT

- › Steel doors
- › 1 adjustable shelf
- › 4" wheels:
 - 2 rigid casters
 - 2 swivel casters (1 with brake)

ref.:

W	D	H
660	520	1125

CR-44



Product Specifications

- › Pull-out keyboard drawer
- › Steel doors
- › 4" Wheels:
 - 2 rigid casters
 - 2 swivel casters (1 with brake)

Computer cabinets

ref.:

W	D	H
660	520	1125

CR-45



Product Specifications

- › Pull-out keyboard drawer
- › Steel doors
- › 1 adjustable shelf
- › 4" Wheels:
 - 2 rigid casters
 - 2 swivel casters (1 with brake)

Workstations

ref.:

W	D	H
520	450	975

GT-1



Product Specifications

- › 1 drawer
- › 1 right opening steel door
- › 2 adjustable shelves
- › 4 adjustable feet
- › Includes 1 rubber mat (2 mm)

ref.:

W	D	H
800	450	975

GT-2



Product Specifications

- › 2 drawers
- › Steel doors
- › 2 adjustable shelves
- › 4 adjustable feet
- › Includes 1 rubber mat (2 mm)

The most complete range of handling material and products designed for tool storage.

With over 40 models of tool trolleys (shelf and cabinet models) with drawer and cabinet options available in three sizes.

Tool Cabinet Trolleys

Product Specifications

› **Standard accessories:**

- Rounded corners
- Epoxy coating
- Drawers with telescopic slides and key cylinder lock
- Adjustable galvanized steel drawer divider (DPG)
- Push handle with paper holder (PSM)
- Paper roll (RPM)
- Vacuum forming tray (VF-1, VF-2 and VF-3)
- Side boxes

› **Optional accessories:**

- Side shelf for bench vise (SM-M)
- Additional adjustable galvanized steel drawer divider (DPG)



Tool Shelf Trolleys

Product Specifications

› **Standard accessories:**

- Rounded corners
- Epoxy coating
- Drawers with telescopic slides and key cylinder lock
- Push handle

› **Optional accessories:**

- Side shelf for bench vise (SM-M)
- Paper roll (RPM)

Tool trolley accessories

Push handle with paper holder

ref.:

PSM



Product Specifications

- › Included in Tool Cabinet Trolley

Drawer dividers

ref.:

DPG-3
DPG-5
DPG-6
DPG-7



Product Specifications

- › Adjustable galvanized steel drawer partition and dividers
- › Included in Tool Cabinet Trolley
- › For use with (model B)-drawers only

Divider boxes

ref.:

VF-4

W	D	H
390	185	65

dimensions in mm



Product Specifications

- › With 8 compartments

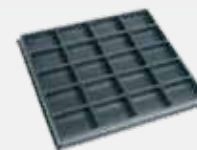
Divider boxes

ref.:

VF-6

W	D	H
345	300	27

dimensions in mm



Product Specifications

- › With 20 compartments

Paper roll

ref.:

RPM



Product Specifications

- › Included in Tool Cabinet Trolley
- › Paper roll: 250 mm x 50 m

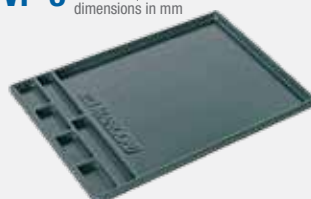
Vacuum Forming tray

ref.:

VF-1
VF-2
VF-3

W	D
800	450
600	400
660	520

dimensions in mm



ref.:

VF-5

W	D	H
480	185	65

dimensions in mm



Product Specifications

- › With 10 compartments

Side shelf for Bench vise

ref.:

SM-M



Product Specifications

- › Optional Accessory
- › Up to 6" bench vises



TOOL CABINET TROLLEYS

Tool cabinet trolleys

ref.:

W	D	H	C
600	400	860	330

CR-39



Product Specifications

- › 2 drawers (model B)
- › 1 drawer divider (DPG-6)
- › Steel doors
- › Wheels:
 - 2 rigid 6" casters
 - 2 swivel 4" casters (1 with brake)

Tool cabinet trolleys

ref.:

W	D	H	C
600	400	860	330

CR-56



Product Specifications

- › 4 drawers (model A)
- › 2 drawers (model B)
- › 1 drawer (model C)
- › 1 drawer divider (DPG-6)
- › Wheels:
 - 2 rigid 6" casters
 - 2 swivel 4" casters (1 with brake)

ref.:

W	D	H	C
600	400	860	330

CR-40



Product Specifications

- › 3 drawers (model B)
- › 1 drawer divider (DPG-6)
- › Wheels:
 - 2 rigid 6" casters
 - 2 swivel 4" casters (1 with brake)

ref.:

W	D	H	C
600	400	860	330

CR-71

drawers open on both sides



Product Specifications

- › 4 drawers (model B) (open on both sides)
- › 1 drawer divider (DPG-6)
- › Rolling shutter PVC doors
- › Wheels:
 - 2 rigid 6" casters
 - 2 swivel 4" casters (1 with brake)

ref.:

W	D	H	C
600	400	860	330

CR-42



Product Specifications

- › 4 drawers (model B)
- › 1 drawer (model C)
- › 1 drawer divider (DPG-6)
- › Wheels:
 - 2 rigid 6" casters
 - 2 swivel 4" casters (1 with brake)

ref.:

W	D	H	C
660	520	860	350

CR-20

drawers



Product Specifications

- › 2 drawers (model A)
- › 1 drawer (model B)
- › 1 drawer divider (DPG-5)
- › Rolling shutter PVC door
- › 4" Wheels:
 - 2 rigid casters
 - 2 swivel casters (1 with brake)

Tool cabinet trolleys

ref.:

W	D	H	C
800	450	860	350

CR-14



Product Specifications

- › 2 drawers (model B)
- › 1 drawer divider (DPG-3)
- › Steel doors
- › 4" Wheels:
 - 2 rigid casters
 - 2 swivel casters (1 with brake)

ref.:

W	D	H	C
800	450	860	350

CR-15



Product Specifications

- › 4 drawers (model B)
- › 1 drawer (model C)
- › 1 drawer divider (DPG-7)
- › 1 right opening steel door
- › 1 shelf
- › 4" Wheels:
 - 2 rigid casters
 - 2 swivel casters (1 with brake)

ref.:

W	D	H	C
800	450	860	350

CR-16



Product Specifications

- › 4 drawers (model B)
- › 1 drawer (model C)
- › 1 drawer divider (DPG-3)
- › 4" Wheels:
 - 2 rigid casters
 - 2 swivel casters (1 with brake)

Tool cabinet trolleys

ref.:

W	D	H	C
800	450	860	350

CR-53



Product Specifications

- › 6 drawers (model B)
- › 1 drawer divider (DPG-3)
- › 4" Wheels:
 - 2 rigid casters
 - 2 swivel casters (1 with brake)

ref.:

W	D	H	C
800	450	860	350

CR-54



Product Specifications

- › 4 drawers (model B)
- › 1 drawer (model C)
- › 1 drawer divider (DPG-7)
- › 1 shelf
- › 4" Wheels:
 - 2 rigid casters
 - 2 swivel casters (1 with brake)

ref.:

W	D	H	C
800	450	860	350

CR-55



Product Specifications

- › 4 drawers (model A)
- › 2 drawers (model B)
- › 1 drawer (model C)
- › 1 drawer divider (DPG-7)
- › 1 right opening steel door
- › 1 shelf
- › 4" Wheels:
 - 2 rigid casters
 - 2 swivel casters (1 with brake)

ref.:

W	D	H	C
800	450	860	350

CR-57



Product Specifications

- › 4 drawers (model A)
- › 2 drawers (model B)
- › 1 drawer (model C)
- › 1 drawer divider (DPG-3)
- › 4" Wheels:
 - 2 rigid casters
 - 2 swivel casters (1 with brake)



TOOL CABINET TROLLEYS / CAR CREEPERS

Tool cabinet trolleys

ref.:	W	D	H	C
CR-58	800	450	860	350

Product Specifications

- › 2 drawers (model A)
- › 1 drawer (model B)
- › 1 drawer divider (DPG-3)
- › Steel doors
- › 4" Wheels:
 - 2 rigid casters
 - 2 swivel casters (1 with brake)



ref.:	W	D	H	C
CR-72	800	570	860	350

Product Specifications

- › 2 drawers (model B)
- › 1 drawer divider (DPG-3)
- › Steel doors
- › Key cylinder lock
- › Includes retractable pegboard
- › Retraction of pegboard with shock absorber
- › Includes:
 - 1 KIT-GS3 (26 hooks and holders)
- › 4" Wheels:
 - 2 rigid casters
 - 2 swivel casters (1 with brake)



ref.:	W	D	H	C
CR-73	800	570	860	350

Product Specifications

- › 4 drawers (model B)
- › 1 drawer (model C)
- › 1 drawer divider (DPG-7)
- › 1 shelf
- › 1 right opening steel door
- › Key cylinder lock
- › Includes retractable pegboard
- › Retraction of pegboard with shock absorber
- › Includes
 - 1 KIT-GS3 (26 hooks and holders)
- › 4" Wheels:
 - 2 rigid casters
 - 2 swivel casters (1 with brake)



Tool cabinet trolley

ref.:	W	D	H	C
CR-74	800	570	860	350

Product Specifications

- › 4 drawers (model A)
- › 2 drawers (model B)
- › 1 drawer (model C)
- › 1 drawer divider (DPG-3)
- › Key cylinder lock
- › Includes retractable pegboard
- › Retraction of pegboard with shock absorber
- › Includes:
 - 1 KIT-GS3 (26 hooks and holders)
- › 4" Wheels:
 - 2 rigid casters
 - 2 swivel casters (1 with brake)



Steel car creepers with padded headrest

ref.:	W	D	H	C
CR-6	900	430	90	90

Product Specifications

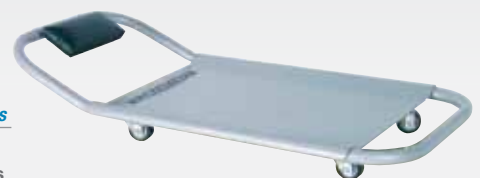
- › 2" Wheels:
 - 4 swivel casters



ref.:	W	D	H	C
CR-21	895	425	155	90

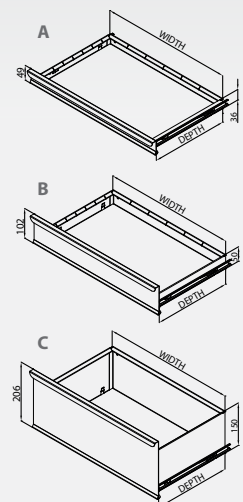
Product Specifications

- › 2" Wheels:
 - 4 swivel casters



Drawer Dimensions

REF.	width	depth	opening
CR-14	665mm	350mm	350mm
CR-15	305mm	350mm	350mm
CR-16	665mm	350mm	350mm
CR-20	525mm	400mm	305mm
CR-39	465mm	300mm	300mm
CR-40	465mm	300mm	300mm
CR-42	465mm	300mm	300mm
CR-53	665mm	350mm	350mm
CR-54	305mm	350mm	350mm
CR-55	305mm	350mm	350mm
CR-56	465mm	300mm	300mm
CR-57	665mm	350mm	350mm
CR-58	665mm	350mm	350mm
CR-71	465mm	300mm	140mm
CR-72	665mm	350mm	350mm
CR-73	305mm	350mm	350mm
CR-74	665mm	350mm	350mm



Tool shelf trolleys /

ref.: **MIL-G**

W	D	H
660	520	910



detail

Product Specifications

- › 2 drawers (model B) without telescopic slide
- › 3" Wheels:
 - 2 rigid casters
 - 2 swivel casters (1 with brake)

Tool shelf trolleys /

ref.: **CR-34**

W	D	H
600	400	910



Product Specifications

- › 3" Wheels:
 - 2 rigid casters
 - 2 swivel casters (1 with brake)

ref.: **MIL-S**

W	D	H
660	520	910



Product Specifications

- › 3" Wheels:
 - 2 rigid casters
 - 2 swivel casters (1 with brake)

ref.: **CR-37**

W	D	H
600	400	910



Product Specifications

- › 1 drawer (model B) with telescopic slide
- › 3" Wheels:
 - 2 rigid casters
 - 2 swivel casters (1 with brake)

ref.: **CR-2**

W	D	H
660	520	910



Product Specifications

- › 1 drawer (model B) with telescopic slide
- › 3" Wheels:
 - 2 rigid casters
 - 2 swivel casters (1 with brake)

ref.: **CR-59**

W	D	H
660	520	910



Product Specifications

- › 1 drawer (model B) with telescopic slide
- › Steel doors
- › 3" Wheels:
 - 2 rigid casters
 - 2 swivel casters (1 with brake)

ref.: **CR-11**

W	D	H
800	450	910



Product Specifications

- › 1 drawer (model B) with telescopic slide
- › 3" Wheels:
 - 2 rigid casters
 - 2 swivel casters (1 with brake)

ref.: **CR-61**

W	D	H
600	400	910



Product Specifications

- › 2 drawers (model B) with telescopic slide
- › 3" Wheels:
 - 2 rigid casters
 - 2 swivel casters (1 with brake)



TOOL SHELF TROLLEYS

Tool shelf trolleys /

ref.:	W	D	H
CR-23	660	520	910



Product Specifications

- › Steel doors
- › Includes cantilever tool box 550
- › 3" Wheels:
 - 2 rigid casters
 - 2 swivel casters (1 with brake)

ref.:	W	D	H
CR-507	660	520	1075

cantilever tool box



Product Specifications

- › Steel doors
- › Includes cantilever tool box 507F
- › 3" Wheels:
 - 2 rigid casters
 - 2 swivel casters (1 with brake)

ref.:	W	D	H
CR-550	510	210	820



Product Specifications

- › Includes cantilever tool box 550
- › Does not include push handle
- › 2" Wheels:
 - 4 swivel casters

Tool shelf trolleys /

ref.:	W	D	H	C
CR-75	600	400	910	100*

* overall capacity



Product Specifications

- › 1 drawer (model B) with telescopic slide
- › 20 blue plastic bins n° 3
- › 3" Wheels:
 - 2 rigid casters
 - 2 swivel casters

ref.:	W	D	H	C
CR-76	600	400	910	100*

* overall capacity



Product Specifications

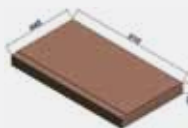
- › 2 drawers (model B) with telescopic slide
- › 20 blue plastic bins n° 3
- › 3" Wheels:
 - 2 rigid casters
 - 2 swivel casters

Dismantable tool shelf trolleys /

ref.:	W	D	H
CR-67	600	400	910

Packaging

Saves space and increases storage capacity



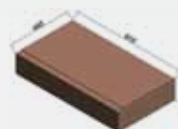
Product Specifications

- › 3" Wheels:
 - 2 rigid casters
 - 2 swivel casters

ref.:	W	D	H
CR-68	600	400	910

Packaging

Saves space and increases storage capacity



Product Specifications

- › 1 drawer (model B) with telescopic slide
- › 3" Wheels:
 - 2 rigid casters
 - 2 swivel casters

Tool shelf trolleys

ref.: **CR-78**

W	D	H	C
600	400	910	90*

* overall capacity



**compact
LINE**

Product Specifications

- › 3" Wheels:
 - 2 rigid casters
 - 2 swivel casters

ref.: **CR-79**

W	D	H	C
600	400	910	90*

* overall capacity



**compact
LINE**

Product Specifications

- › 1 drawer (model B) with telescopic slide
- › Padlock hasp
- › 3" Wheels:
 - 2 rigid casters
 - 2 swivel casters

ref.: **CR-80**

W	D	H	C
800	450	910	120*

* overall capacity



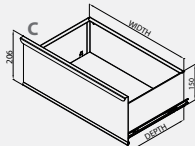
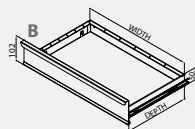
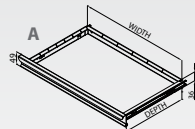
sliding trays

Product Specifications

- › 1 drawer (model B) with telescopic slide and key cylinder lock
- › 2 sliding trays with rubber mat
- › 3" Wheels:
 - 2 rigid casters
 - 2 swivel casters

Drawer Dimensions

REF.	width	depth	opening
MIL-G	405mm	300mm	185mm
CR-2	525mm	460mm	460mm
CR-11	665mm	350mm	350mm
CR-37	465mm	300mm	300mm
CR-59	525mm	460mm	460mm
CR-61	465mm	300mm	300mm
CR-68	465mm	300mm	300mm
CR-75	465mm	300mm	300mm
CR-76	465mm	300mm	300mm
CR-79	465mm	300mm	300mm
CR-80	665mm	350mm	350mm



Tool shelf trolleys

ref.: **CR-81**

W	D	H	C
635	485	945	80*

* overall capacity



**stainless
steel**

Product Specifications

- › 4" nylon wheels:
 - 2 rigid casters
 - 2 swivel casters (1 with brake)

ref.: **CR-82**

W	D	H	C
635	485	945	100*

* overall capacity



**stainless
steel**

Product Specifications

- › 4" nylon wheels:
 - 2 rigid casters
 - 2 swivel casters (1 with brake)

ref.: **CR-83**

W	D	H	C
635	485	1295	100*

* overall capacity



**stainless
steel**

Product Specifications

- › 4" nylon wheels:
 - 2 rigid casters
 - 2 swivel casters (1 with brake)

ref.: **CR-84**

W	D	H	C
635	485	1295	120*

* overall capacity



**stainless
steel**

Product Specifications

- › 4" nylon wheels:
 - 2 rigid casters
 - 2 swivel casters (1 with brake)



STEEL TOOL BOXES

Cantilever tool boxes

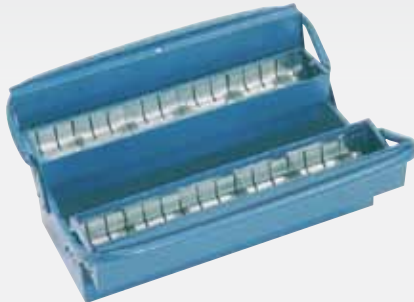
ref.:	W	D	H
340	400	200	160
350	500	200	160



Product Specifications

› 3 trays

ref.:	W	D	H
340D	400	200	160
350D	500	200	160



Product Specifications

› 3 trays
(2 with dividers)

ref.:	W	D	H
507F	500	200	260



Product Specifications

› 7 trays

ref.:	W	D	H
507M	605	200	435



7 trays



Product Specifications

› 7 trays
› Retractable handle
› 2" wheels:
- 2 rigid casters

Cantilever tool boxes

ref.:	W	D	H
540	400	200	210
550	500	200	210



Product Specifications

› 5 trays

ref.:	W	D	H
540D	400	200	210
550D	500	200	210



Product Specifications

› 5 trays
(2 with dividers)

ref.:	W	D	H
550M	605	200	390

mobile cantilever tool box



Product Specifications

› 5 trays
› Retractable handle
› 2" wheels:
- 2 rigid casters

↙ *Cantilever tool boxes produced from extra-strong sheet steel*

ref.: **350R**

W	D	H
500	200	160



Product Specifications

- › 3 trays
- › Produced from extra-strong sheet steel (higher load capacity)

↙ *Tool boxes*

ref.: **R-30**

W	D	H
300	160	80



Product Specifications

- › Fold down steel handle

ref.: **507R**

W	D	H
500	200	260



Product Specifications

- › 7 trays
- › Produced from extra-strong sheet steel (higher load capacity)

ref.: **SR-35**

W	D	H
350	120	100



Product Specifications

- › Fold down steel handle

ref.: **550R**

W	D	H
500	200	210



Product Specifications

- › 5 trays
- › Produced from extra-strong sheet steel (higher load capacity)

ref.: **840**

W	D	H
400	160	110



Product Specifications

- › Fold down steel handle



STEEL TOOL BOXES

Tool boxes

ref.:	W	D	H
140	400	160	110



Product Specifications

- › 1 cantilever tray
- › Fold down steel handle

ref.:	W	D	H
D-40	400	140	140
E-40			



Product Specifications

- E-40
- › 1 removable tray
- › Fold down steel handle

ref.:	W	D	H
640	400	160	170
650	500	160	170



Product Specifications

- › 1 removable tray
- › Fold down steel handle

Tool boxes

ref.:	W	D	H
740	400	160	170
750	500	160	170



Product Specifications

- › Fold down steel handle

ref.:	W	D	H
170	700	180	205



Product Specifications

- › Side handles

ref.:	W	D	H
370	700	255	255



Product Specifications

- › Side handles

ref.:	W	D	H
1000	1000	435	450



Product Specifications

- › 1 removable tray
- › Side handles

PLASTIC TOOL BOXES

W / width (mm) D / depth (mm) H / height (mm)

TIL MARCON

ref.:
CP-1 W / D / H
 370 / 180 / 170



Product Specifications

- › Color: white
- › 1 cantilever tray



ref.:
CP-2 W / D / H
CP-3 370 / 180 / 170
 420 / 220 / 190



Product Specifications

- › Color: white
- › 2 cantilever trays



ref.:
CP-5 W / D / H
CP-8 370 / 180 / 170
 420 / 220 / 190



Product Specifications

- › Color: black



ref.:
CP-6 W / D / H
CP-9 370 / 180 / 170
 420 / 220 / 190



Product Specifications

- › Color: black
- › 1 cantilever tray



ref.:
CP-7 W / D / H
CP-10 370 / 180 / 170
 420 / 220 / 190



Product Specifications

- › Color: black
- › 2 cantilever trays



ref.:
CP-4 W / D / H
 420 / 220 / 190



Product Specifications

- › Color: white
- › 3 cantilever trays

ref.:
CP-11 W / D / H
 420 / 220 / 190



Product Specifications

- › Color: black
- › 3 cantilever trays



TOOL CHESTS

ref.:
349 $\frac{W}{520} \mid \frac{D}{255} \mid \frac{H}{265}$



Product Specifications

- › 3 drawers
- › Top compartment

ref.:
G-604 $\frac{W}{600} \mid \frac{D}{400} \mid \frac{H}{420}$



Product Specifications

- › 4 drawers (model A)
- › 1 drawer (model B)
- › 1 drawer divider (DPG-6)
- › 1 vacuum forming tray (VF-2)

ref.:
G-601 $\frac{W}{600} \mid \frac{D}{400} \mid \frac{H}{420}$



Product Specifications

- › 3 drawers (model B)
- › 1 drawer divider (DPG-6)

ref.:
G-605 $\frac{W}{600} \mid \frac{D}{400} \mid \frac{H}{470}$



Product Specifications

- › 3 drawers (model B)
- › 1 drawer divider (DPG-6)
- › Top compartment

ref.:
G-602 $\frac{W}{600} \mid \frac{D}{400} \mid \frac{H}{420}$



Product Specifications

- › 3 drawers (model B)
- › 1 drawer divider (DPG-6)
- › 1 vacuum forming tray (VF-2)

ref.:
G-606 $\frac{W}{600} \mid \frac{D}{400} \mid \frac{H}{470}$



Product Specifications

- › 4 drawers (model A)
- › 1 drawer (model B)
- › 1 drawer divider (DPG-6)
- › Top compartment

ref.:
G-603 $\frac{W}{600} \mid \frac{D}{400} \mid \frac{H}{420}$



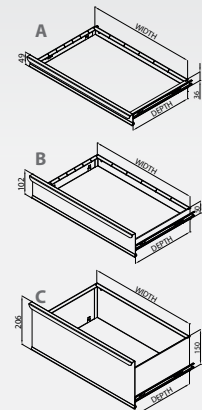
Product Specifications

- › 4 drawers (model A)
- › 1 drawer (model B)
- › 1 drawer divider (DPG-6)

Drawer Dimensions

REF.	width	depth	opening
349*	405mm	155mm	152mm
G-601	465mm	300mm	300mm
G-602	465mm	300mm	300mm
G-603	465mm	300mm	300mm
G-604	465mm	300mm	300mm
G-605	465mm	300mm	300mm
G-606	465mm	300mm	300mm
G-801	665mm	350mm	350mm
G-802	665mm	350mm	350mm
G-803	665mm	350mm	350mm
G-804	665mm	350mm	350mm
G-805	665mm	350mm	350mm
G-806	665mm	350mm	350mm

* Height: 43 mm



ref.:
G-801 $\frac{W}{800} \mid \frac{D}{450} \mid \frac{H}{420}$



Product Specifications

- › 3 drawers (model B)
- › 1 drawer divider (DPG-3)

ref.:
G-805 $\frac{W}{800} \mid \frac{D}{450} \mid \frac{H}{470}$



Product Specifications

- › 3 drawers (model B)
- › 1 drawer divider (DPG-3)
- › Top compartment

ref.:
G-802 $\frac{W}{800} \mid \frac{D}{450} \mid \frac{H}{420}$



Product Specifications

- › 3 drawers (model B)
- › 1 drawer divider (DPG-3)
- › 1 vacuum forming tray (VF-1)

ref.:
G-806 $\frac{W}{800} \mid \frac{D}{450} \mid \frac{H}{470}$



Product Specifications

- › 4 drawers (model A)
- › 1 drawer (model B)
- › 1 drawer divider (DPG-3)
- › Top Compartment

ref.:
G-803 $\frac{W}{800} \mid \frac{D}{450} \mid \frac{H}{420}$



Product Specifications

- › 4 drawers (model A)
- › 1 drawer (model B)
- › 1 drawer divider (DPG-3)

Combinations

Improve your work and maximize space with tool trolleys and cabinets from MARCON.



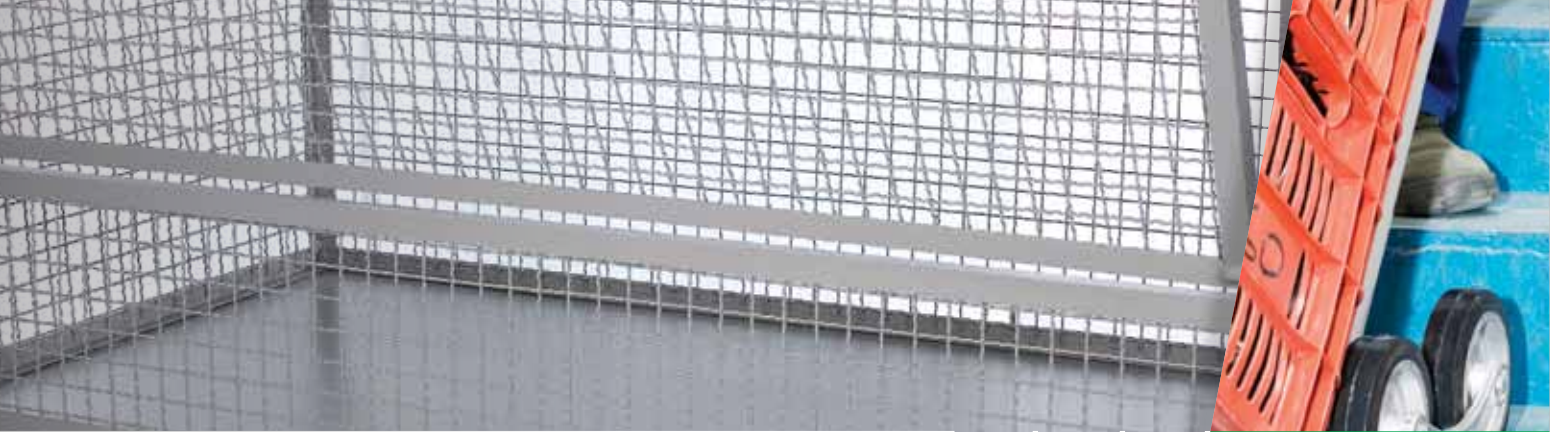
ref.:
G-804 $\frac{W}{800} \mid \frac{D}{450} \mid \frac{H}{420}$



Product Specifications

- › 4 drawers (model A)
- › 1 drawer (model B)
- › 1 drawer divider (DPG-3)
- › 1 vacuum forming tray (VF-1)





Handling Material Line has the most complete range of models designed for moving different kind of loads to fit Logistic Market needs.





*BEVERAGE /
WAREHOUSE
HAND TRUCKS*

82



*UTILITY
TRUCKS*

84



*PLATFORM
TRUCKS*

86



*WHEELS AND
ACCESSORIES*

88



CASTERS

90





Transport your load with efficiency and safety.
A complete range of material handling
equipment to suit different logistic activities.



1
Warehouse hand truck
ref.: TM-3

2
Platform truck
ref.: TM-27

3
Pallet drum & Cradle Truck
ref.: TM-96

4
Warehouse hand truck
ref.: TM-91

5
Truck stair climber
ref.: TM-33

6
Platform truck
ref.: TM-71

Cylinder truck
ref.: TM-48

Platform truck
ref.: TM-53

Warehouse hand truck
ref.: TM-3

Truck stair climber
ref.: TM-33



4

6

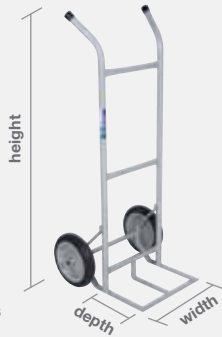


5



BEVERAGE/WAREHOUSE HAND TRUCKS

ref.: **TM** W | D | H | C | wheels
 343 | 195 | 1070 | 180 | RM-5B



Product Specifications
 › Solid rubber wheels

ref.: **TM-2** W | D | H | C | wheels
 500 | 337 | 1430 | 300 | RM-5C



Product Specifications
 › Solid rubber wheels

ref.: **TM-34** W | D | H | C | wheels
 356 | 320 | 1300 | 200 | RM-12B



Product Specifications
 › Folding nose plate
 › Solid rubber wheels

ref.: **TM-A** W | D | H | C | wheels
 343 | 195 | 1070 | 180 | RM-39



Product Specifications
 › Solid rubber wheels

ref.: **TM-3** W | D | H | C | wheels
 500 | 340 | 1430 | 400 | RM-8A



Product Specifications
 › Pneumatic wheels

ref.: **TM-35** W | D | H | C | wheels
 500 | 335 | 1430 | 300 | RM-5C



Product Specifications
 › Solid rubber wheels

ref.: **TM-1** W | D | H | C | wheels
 360 | 230 | 1137 | 200 | RM-5B



Product Specifications
 › Solid rubber wheels

ref.: **TM-7** W | D | H | C | wheels
 360 | 230 | 1240 | 200 | RM-39



Product Specifications
 › Solid rubber wheels

ref.: **TM-36** W | D | H | C | wheels
 500 | 340 | 1430 | 400 | RM-8A



Product Specifications
 › Pneumatic wheels

ref.: **TM-1A** W | D | H | C | wheels
 360 | 230 | 1137 | 200 | RM-39



Product Specifications
 › Solid rubber wheels

ref.: **TM-33** W | D | H | C
 380 | 270 | 1296 | 300



Truck stair climber



Product Specifications
 › 6" solid rubber wheels

ref.: **TM-39** W | D | H | C | wheels
 360 | 200 | 1250 | 200 | RM-39



Product Specifications
 › Solid rubber wheels

ref.: **TM-43** W / D / H / C / wheels
 330 | 160 | 1070 | 120 | RM-38



Product Specifications
 › Solid rubber wheels

ref.: **TM-45** W / D / H / C / wheels
 360 | 200 | 1150 | 180 | RM-39



Product Specifications
 › Solid rubber wheels

ref.: **TM-46** W / D / H / C / wheels
 350 | 285 | 1220 | 200 | RM-39



Product Specifications
 › Solid rubber wheels

ref.: **TM-50** W / D / H / C / wheels
 340 | 240 | 1090 | 60 | RM-38



Product Specifications
 › Solid rubber wheels

ref.: **TM-78** W / D / H / C / wheels
 355 | 195 | 1250 | 200 | RM-8A



Product Specifications
 › Pneumatic wheels

ref.: **TM-91** W / D / H / C / wheels
 500 | 700 | 1455 | 300 | RM-8A



detail



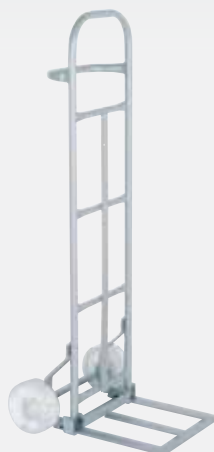
Product Specifications
 › Folding nose plate
 › Pneumatic wheels

ref.: **TM-92** W / D / H / C / wheels
 355 | 320 | 1300 | 200 | RM-53

folding nose plate



Product Specifications
 › Folding nose plate
 › Solid nylon wheels
 › Solid nylon wheels
 with nylon bearing



ref.: **TM-93** W / D / H / C / wheels
 500 | 340 | 1455 | 300 | RM-8A



detail



Product Specifications
 › Folding nose plate
 › Pneumatic wheels

ref.: **TM-97** W / D / H / C / wheels
 360 | 220 | 1140 | 200 | RM-8A



Product Specifications
 › Pneumatic wheels

ref.: **TM-24** W / D / H / C
 800 | 600 | 880 | 200*
 * overall capacity



Product Specifications
 › 3" solid wheels:
 - 2 rigid casters
 - 2 swivel casters



MATERIAL HANDLING

Cylinder trucks

ref.:

W	D	H	wheels
305	255	1335	RM-39

TM-9



Product Specifications

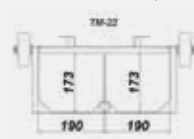
- › Capacity: 1 cylinder (oxygen)
- › Includes safety chain to help secure the cylinders
- › Solid rubber wheels

Cylinder trucks

ref.:

W	D	H
420	175	750

TM-22



Product Specifications

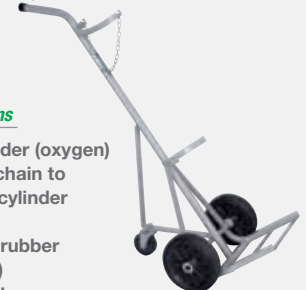
- › Capacity: 2 cylinders (oxygen/ acetylene)
- › 4" solid rubber wheels:
 - 2 rigid casters

Cylinder trucks

ref.:

W	D	H
305	255	1335

TM-85



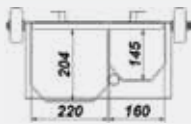
Product Specifications

- › Capacity: 1 cylinder (oxygen)
- › Includes safety chain to help secure the cylinder
- › Solid wheels:
 - 2 rigid 9" solid rubber wheels (RM-39)
 - 1 swivel 4" caster

ref.:

W	D	H
420	200	740

TM-16



Product Specifications

- › Capacity: 2 cylinders (GLP/ oxygen)
- › 4" solid rubber wheels:
 - 2 rigid casters

ref.:

W	D	H	wheels
600	220	1430	RM-40

TM-48



Product Specifications

- › Capacity: 2 cylinders (oxygen/ acetylene)
- › Includes safety chain to help secure the cylinders
- › Solid rubber wheels

ref.:

W	D	H
600	220	1430

TM-90



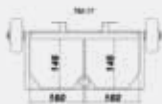
Product Specifications

- › Capacity: 2 cylinders (oxygen/ acetylene)
- › Includes safety chain to help secure the cylinders
- › Wheels:
 - 2 rigid pneumatic wheels (RM-8A)
 - 2 swivel 4" casters

ref.:

W	D	H
350	150	750

TM-17



Product Specifications

- › Capacity: 2 cylinders (oxygen/ acetylene)
- › 4" solid rubber wheels:
 - 2 rigid casters

ref.:

W	D	H
600	220	1430

TM-75



Product Specifications

- › Capacity: 2 cylinders (oxygen/ acetylene)
- › Includes safety chain to help secure the cylinders
- › Solid wheels:
 - 2 rigid 10" solid rubber wheels (RM-40)
 - 2 swivel 4" casters

Dollies

ref.:

W	D	H	C
600	400	175	300

TM-81



Product Specifications

- › 4" solid wheels:
 - 2 rigid casters
 - 2 swivel casters

ref.:

W	D	H
420	200	750

TM-21



Product Specifications

- › Capacity: 2 cylinders (GLP/ oxygen)
- › 4" solid rubber wheels:
 - 2 rigid casters

ref.:

W	D	H	wheels
305	255	1335	RM-8A

TM-84



Product Specifications

- › Capacity: 1 cylinder (oxygen)
- › Includes safety chain to help secure the cylinders
- › Pneumatic wheels

ref.:

W	D	H	C
600	400	165	300

TM-100



Product Specifications

- › Solid OSB wood platform (18 mm)
- › 4" solid wheels:
 - 2 rigid casters
 - 2 swivel casters

Drum trucks

ref.:	W	D	H	C
TM-5	440	53	1432	300



Product Specifications

- › Wheels:
 - 2 rigid solid rubber wheels (RM-5B)
 - 1 swivel 4" caster

Drum cradle

ref.:	W	D	H	C
TM-6	855	500	550	300



Product Specifications

- › Solid wheels:
 - 2 rigid 4" casters
 - 1 swivel 3" caster

Trash can carts

ref.:	W	D	H	C	wheels
TM-73	770	865	725	88*	RM-40

* capacity in liters



Product Specifications

- › Solid rubber wheels

ref.:	W	D	H	C	wheels
TM-32	530	50	1320	200	RM-39



Product Specifications

- › Solid rubber wheels

ref.:	W	D	H	C	wheels
TM-96	500	500	1315	300	RM-6

detail



Product Specifications

- › Pallet drum & Cradle Truck
- › Solid rubber wheels

ref.:	W	D	H	C	wheels
TM-74	815	865	765	88*	RM-8A

* capacity in liters



Product Specifications

- › Pneumatic wheels

ref.:	Dia.	H	C
TM-82	620*	145	300

* diameter in mm



Product Specifications

- 4 swivel 3" casters

Drum truck

ref.:	W	D	H	C	wheels
TM-30	370	272	1430	300	RM-8A



Product Specifications

- › Transports 3 drums up to 13 Kg per drum or 1 drum up to 45 Kg
- › Pneumatic wheels

Heavy duty hand truck for stern engine

ref.:	W	D	H	C	wheels
TM-31	385	370	1030	150	RM-38



Product Specifications

- › Transports engines from 8 to 30 HP
- › Solid rubber wheels

Handle for moving heavy equipments

ref.:	W	D	H	C
TM-101	175	135	1590	1400



Product Specifications

- › Iron rigid wheels
- › Wheel dia. 63,5 mm

Positioning car wheel dolly

ref.:	W	D	H	C
3001	1710	1200	480	600

detail



Product Specifications

- › Wheels:
 - 2 rigid pneumatic wheels (RM-8B)
 - 1 swivel 6" caster
- › Flexible handle



PLATFORM TRUCKS

Platform trucks

ref.:	W	D	H	C	wheels
TM-10	1500	800	425	400	RM-8A
TM-13	1500	800	446	800	RM-8B
TM-55	1500	800	430	1200	RM-23



Product Specifications

- TM-10 and TM-13
- › Pneumatic wheels
- TM-55
- › Solid rubber wheels

Platform trucks

ref.:	W	D	H	C	wheels
TM-12	1500	800	425	400	RM-8A
TM-15	1500	800	446	800	RM-8B
TM-57	1500	800	430	1200	RM-23



Product Specifications

- TM-12 and TM-15
- › Pneumatic wheels
- TM-57
- › Solid rubber wheels

Platform trucks

ref.:	W	D	H	C
TM-62	1500	800	436	400
TM-63	1500	800	446	800



Product Specifications

- | | |
|-----------------------------|-----------------------------|
| TM-62 | TM-63 |
| › With side panels | › With side panels |
| › Pneumatic wheels (RM-8A): | › Pneumatic wheels (RM-8B): |
| - 2 rigid wheels | - 2 rigid wheels |
| - 2 swivel wheels | - 2 swivel wheels |

ref.:	W	D	H	C	wheels
TM-94	1200	800	425	400	RM-8A



Product Specifications

- › Pneumatic wheels

ref.:	W	D	H	C	wheels
TM-11	1500	800	425	400	RM-8A
TM-14	1500	800	446	800	RM-8B
TM-56	1500	800	430	1200	RM-23



Product Specifications

- TM-11 and TM-14
- › Pneumatic wheels
- TM-56
- › Solid rubber wheels

ref.:	W	D	H	C
TM-64	1200	650	210	400



Product Specifications

- › With side panels
- › 6" solid wheels
- 2 rigid casters
- 2 swivel casters

ref.:	W	D	H	C
TM-27	1500	800	436	400
TM-58	1500	800	446	800



Product Specifications

- TM-27
- › Pneumatic wheels (RM-8A):
- 2 rigid wheels
- 2 swivel wheels
- TM-58
- › Pneumatic wheels (RM-8B):
- 2 rigid wheels
- 2 swivel wheels

ref.:	W	D	H	C	wheels
TM-66	1500	800	425	400	RM-8A
TM-67	1500	800	446	800	RM-8B
TM-68	1500	800	430	1200	RM-23



Product Specifications

- › With rails
- TM-66 and TM-67
- › Pneumatic wheels
- TM-68
- › Solid rubber wheels

ref.:	W	D	H	C
TM-65	1000	600	180	300



Product Specifications

- › With side panels
- › 4" solid wheels
- 2 rigid casters
- 2 swivel casters

Platform trucks

ref.:	W	D	H	C	wheels
TM-53	1500	800	432	400	RM-8A
TM-54	1500	800	442	800	RM-8B



Product Specifications

- › OSB wood deck (20 mm)
- › Pneumatic wheels

Platform trucks

ref.:	W	D	H	C
TM-98	1200	600	220	300



Product Specifications

- › OSB wood deck (18 mm)
- › 6" solid wheels
- 2 rigid casters
- 2 swivel casters

Platform trucks

ref.:	W	D	H	C
TM-61	730	510	140	150



Product Specifications

- › 3" solid wheels
- 2 rigid casters
- 2 swivel casters

ref.:	W	D	H	C	wheels
TM-71	1500	800	465	800	RM-8B
TM-72	1500	800	450	1200	RM-23



Product Specifications

- › OSB wood deck (20 mm)

TM-71

- › Pneumatic wheels

TM-72

- › Solid rubber wheels

ref.:	W	D	H	C
TM-99	800	600	165	300



Product Specifications

- › OSB wood deck (18 mm)
- › 4" solid wheels
- 2 rigid casters
- 2 swivel casters

ref.:	W	D	H	C
TM-95	1200	650	210	1000



Product Specifications

- › 6" solid nylon wheels with nylon bearing
- 2 rigid casters
- 2 swivel casters

ref.:	W	D	H	C	wheels
TM-88	2000	800	442	400	RM-8A



Product Specifications

- › OSB wood deck (20 mm)
- › Pneumatic wheels

ref.:	W	D	H	C
TM-26	1200	650	210	400



Product Specifications

- › 6" solid wheels
- 2 rigid casters
- 2 swivel casters

ref.:	W	D	H	C
TM-87	730	510	140	150

folding handle



Product Specifications

- › Folding handle
- › 3" solid wheels
- 2 rigid casters
- 2 swivel casters

ref.:	W	D	H	C	wheels
TM-89	1200	800	442	600	RM-8A



Product Specifications

- › OSB wood deck (20 mm)
- › Pneumatic wheels

ref.:	W	D	H	C
TM-52	900	530	150	300



Product Specifications

- › 4" solid wheels
- 2 rigid casters
- 2 swivel casters



WHEELS AND ACCESSORIES

Solid wheels

ref.:	Dia.	D	C	Wt
RM-5A	8	42	100	1,5
RM-5B	9	43	100	2
RM-5C	10	45	100	2,7

Product Specifications

- › Axle hole diameter: 3/4"
- › Wheel bearing: aluminum bushing
- › Rim: steel
- › Hub length: 55 mm



Solid wheels

ref.:	Dia.	D	C	Wt
RM-46	4	33	500	0,6
RM-49	6	50	500	2,5
RM-60	4 1/4	35	500	0,8
RM-62	6 11/16	50	800	2,975

Product Specifications

- › Axle hole diameter: 3/4"
- › Wheel bearing:
 - RM-46, RM-49, RM-60: cast iron bearing
 - RM-62: 6204z bearing
- › Rim: polyurethane on cast iron wheel
- › Hub length:
 - RM-46: 25 mm
 - RM-49: 64 mm
 - RM-60, RM-62: 38 mm



Solid wheels

ref.:	Dia.	D	C	Wt
RM-53	6 1/2	50	500	0,6
RM-54	6 1/2	50	500	0,5

Product Specifications

- › Axle hole diameter: 20 mm
- › Wheel bearing:
 - RM-53: 6204z bearing
 - RM-54: does not include bearing
- › Rim: nylon
- › Hub length: 38 mm



ref.:	Dia.	D	C	Wt
RM-10A	8	42	100	1,5
RM-10B	9	43	100	2
RM-10C	10	45	100	2,7

Product Specifications

- › Axle hole diameter: 7/8"
- › Wheel bearing: roller bearing
- › Rim: steel
- › Hub length: 55 mm



ref.:	Dia.	D	C	Wt
RM-47	3	30	500	0,3
RM-48	4	38	500	1
RM-66	4 15/16	52	2000	2,205
RM-68	6 1/8	60	5000	3,655

Product Specifications

- › Axle hole diameter:
 - RM-47, RM-48: 1/2"
 - RM-66: 1"
 - RM-68: 1 1/4"
- › Wheel bearing:
 - RM-47, RM-48, RM-66: cast iron bearing
 - RM-68: roller bearing
- › Rim: polyurethane on cast iron wheel
- › Hub length:
 - RM-47: 34 mm
 - RM-48: 47 mm
 - RM-66: 38 mm
 - RM-68: 50 mm



ref.:	Dia.	D	C	Wt
RM-55	2 7/8	97	500	0,5
RM-56	2 7/8	97	500	0,4
RM-64	2 7/8	78	500	0,31

Product Specifications

- › Axle hole diameter: 20 mm
- › Wheel bearing:
 - RM-55, RM-64: 6204z bearing
 - RM-56: does not include bearing
- › Rim: nylon
- › Hub length:
 - RM-55, RM-56: 97 mm
 - RM-64: 78 mm



ref.:	Dia.	D	C	Wt
RM-20A	8	42	100	1,5
RM-20B	9	43	100	2
RM-20C	10	45	100	2,7

Product Specifications

- › Axle hole diameter: 3/4"
- › Wheel bearing: roller bearing
- › Rim: steel
- › Hub length: 55 mm



ref.:	Dia.	D	C	Wt
RM-50	3 1/4	34	500	0,6
RM-58	4	30	500	1
RM-59	3	30	500	0,3
RM-67	5 1/2	60	5000	5,31

Product Specifications

- › Axle hole diameter:
 - RM-50, RM-58: 3/4"
 - RM-59: 1/2"
 - RM-67: 1 1/4"
- › Wheel bearing:
 - RM-50, RM-58, RM-59: cast iron bearing
 - RM-67: roller bearing
- › Rim: cast iron
- › Hub length:
 - RM-50: 25 mm
 - RM-58: 40 mm
 - RM-59: 34 mm
 - RM-67: 54 mm



ref.:	Dia.	D	C	Wt
RM-61	2 7/8	100	900	1,515
RM-63	2 7/8	100	800	1,135

Product Specifications

- › Axle hole diameter: 25/32"
- › Wheel bearing: 6204z bearing
- › Rim: polyurethane on cast iron wheel
- › Hub length: 78 mm



ref.:	Dia.	D	C	Wt
RM-6	12	55	150	4,5
RM-23	14	88	250	6

Product Specifications

- › Axle hole diameter: 1"
- › Wheel bearings: roller bearing
- › Rim: steel
- › Hub length:
 - RM-6: 73 mm
 - RM-23: 74 mm



ref.:	Dia.	D	C	Wt
RM-12B	8	45	100	1,9
RM-38	8	54	100	1,2
RM-39	9	54	150	1,4
RM-40	10	54	200	1,6

Product Specifications

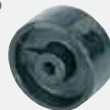
- › Axle hole diameter: 3/4"
- › Wheel bearing: nylon bushing
- › Rim: rubber
- › Hub length: 64 mm



ref.:	Dia.	D	C	Wt
RM-51	2 1/4	30	500	0,3
RM-57	3 1/4	38	500	0,75
RM-65	4 5/16	52	2000	2,625
RM-69	4	30	1000	1,305

Product Specifications

- › Axle hole diameter:
 - RM-51, RM-65: 1/2"
 - RM-57: 2"
 - RM-69: 3/4"
- › Wheel bearing: cast iron bearing
- › Rim: cast iron
- › Hub length:
 - RM-51: 34 mm
 - RM-57: 38 mm
 - RM-65: 52 mm
 - RM-69: 42 mm



ref.:	Dia.	D	C
RM-119	11 11/16	66	120

Product Specifications

- › Axle hole diameter: 1"
- › Wheel bearing: Polypropylene bushing
- › Rim: steel (0,6 mm thickness)
- › Hub length: 69 mm

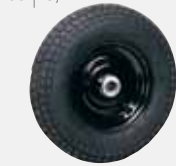


Pneumatic wheels

ref.:	Dia.	D	C	Wt
RM-8A	14	83	150	3,2
RM-8B	15	100	200	3,7

Product Specifications

- › Axle hole diameter: 1"
 - › Wheel bearing: roller bearing
 - › Rim: steel (1,5 mm thickness)
 - › Hub length: 74 mm
 - › Wheel:
 - RM-8A: 3,25 x 8"
 - RM-8B: 3,50 x 8"



Wheel set:
 - RM-8A: (RM-4A) + (RM-17H)
 - RM-8B: (RM-4A) + (RM-17I)

Rims

ref.:	Dia.	D	C	Wt
RM-4	9	78	250	2,1
RM-4A	9	78	200	1,8

Product Specifications

- › Axle hole diameter: 1"
 - › Wheel bearing: roller bearing
 - › Rim:
 - RM-4: Steel (2 mm thickness)
 - RM-4A: Steel (1,5 mm thickness)
 - › Hub length: 74 mm
 - › Tyre: 3,25 x 8" or 3,50 x 8"



Tires and tubes

ref.:
RM-17H
RM-17I



Product Specifications

- › Description:
 - RM-17H: Tire and tube (dimensions: 3,25x8")
 - RM-17I: Tire and tube (dimensions: 3,50x8")

ref.:	Dia.	D	C	Wt
RM-9A	14	83	200	3,2
RM-9B	15	100	250	3,7

Product Specifications

- › Axle hole diameter: 1"
 - › Wheel bearing: roller bearing
 - › Rim: steel (2 mm thickness)
 - › Hub length: 74 mm
 - › Wheel:
 - RM-9A: 3,25 x 8"
 - RM-9B: 3,50 x 8"



Wheel set:
 - RM-9A: (RM-4) + (RM-17H)
 - RM-9B: (RM-4) + (RM-17I)

ref.:	Dia.	D	C	Wt
RM-16C	9	70	200	2

Product Specifications

- › Axle hole diameter: 1"
 - › Wheel bearing: ball bearing
 - › Rim: aluminum
 - › Hub length: 70 mm
 - › Tyre: 3,25 x 8" or 3,50 x 8"



Wheel fork assembly

ref.:
GMF-9A
GMF-9B



Product Specifications

- › Description:
 - GMF-9A: (RM-4) + (RM-17H) + GMF
 - GMF-9B: (RM-4) + (RM-17I) + GMF

ref.:
GMG-9A
GMG-9B



Product Specifications

- › Description:
 - GMG-9A: (RM-4) + (RM-17H) + GMG
 - GMG-9B: (RM-4) + (RM-17I) + GMG

ref.:	Dia.	D	C	Wt
RM-15C	15	100	300	3,7
RM-15F	14	83	150	3

Product Specifications

- › Axle hole diameter: 1"
 - › Wheel bearing: ball bearing
 - › Rim: aluminum
 - › Hub length: 70 mm
 - › Wheel:
 - RM-15C: 3,50 x 8"
 - RM-15F: 3,25 x 8"



Wheel set:
 - RM-15C: (RM-16C) + (RM-17I)
 - RM-15F: (RM-16C) + (RM-17H)

ref.:	Dia.	D	C	Wt
RM-116	8 29/32	66	120	0,54

Product Specifications

- › Axle hole diameter: 1"
 - › Wheel bearing: polypropylene bushing
 - › Rim: steel (0,6 mm thickness)
 - › Hub length: 69 mm
 - › Tyre: 3,25 x 8" or 3,50 x 8"



ref.:
GMF-15F
GMF-15C



Product Specifications

- › Description:
 - GMF-15F: (RM-16C) + (RM-17H) + GMF
 - GMF-15C: (RM-16C) + (RM-17I) + GMF

ref.:	Dia.	D	C	Wt
RM-117	14 5/32	78	80	1,63
RM-118	14 7/16	85	120	1,99

Product Specifications

- › Axle hole diameter: 1"
 - › Wheel bearing: polypropylene bushing
 - › Rim: steel (0,6 mm thickness)
 - › Hub length: 69 mm



Forks

ref.:
GMF
GMG



Product Specifications

- › Ideal for pneumatic wheels and solid wheel (RM-23)
- › Description:
 - GMF: rigid fork
 - GMG: swivel fork

ref.:
GMG-15F
GMG-15C



Product Specifications

- › Description:
 - GMG-15F: (RM-16C) + (RM-17H) + GMG
 - GMG-15C: (RM-16C) + (RM-17I) + GMG



CASTERS

Rubber (PVC) Casters – Light Duty



SWIVEL CASTER WITH BRAKE

Product Specifications

- › Black Rubber(PVC) caster
- › Plate made of zinc plated pressed steel
- › Wheel bearing: plain bearing
- › Note: suitable for level surfaces



RIGID CASTER



SWIVEL CASTER

TECHNICAL DATA dimensions in mm	wheel diameter	tread width	axle hole diameter	inside bolt hole spacing	overall height
distance between the axle and mounting plate center	size of plate	plate hole centers	plate hole diameter	outside bolt hole spacing / plate thickness	capacity

REFERENCES		SIZE											
Rigid caster	RM-82	2"	50	22	6	24	65	—	58x48x1,5	46x35	6	27x1,5	25
Swivel caster	RM-94	2"	50	22	6	24	65	22	58x48x1,5	46x35	6	27x1,5	25
Swivel caster with brake	RM-102	2"	50	22	6	24	65	22	58x48x1,5	46x35	6	27x1,5	25

Rubber Casters – Medium Duty



SWIVEL CASTER WITH BRAKE

Product Specifications

- › Rubber caster
- › Wheel core made of zinc plated pressed steel
- › Plate made of zinc plated pressed steel
- › Wheel bearing: roller bearing
- › Note: suitable for level surfaces



WHEEL



RIGID CASTER



SWIVEL CASTER

REFERENCES

SIZE



	REFERENCES	SIZE	75	100	126	159	200	22	27	34	38	44	12	15	20	25	30	35	40	46	55	75	80	105	110	115	120	125	130	135	140	145	150	155	160	165	170	175	180	185	190	195	200	205	210	215	220	225	230	235	240	245	250	255	260	265	270	275	280	285	290	295	300	305	310	315	320	325	330	335	340	345	350	355	360	365	370	375	380	385	390	395	400	405	410	415	420	425	430	435	440	445	450	455	460	465	470	475	480	485	490	495	500	505	510	515	520	525	530	535	540	545	550	555	560	565	570	575	580	585	590	595	600	605	610	615	620	625	630	635	640	645	650	655	660	665	670	675	680	685	690	695	700	705	710	715	720	725	730	735	740	745	750	755	760	765	770	775	780	785	790	795	800	805	810	815	820	825	830	835	840	845	850	855	860	865	870	875	880	885	890	895	900	905	910	915	920	925	930	935	940	945	950	955	960	965	970	975	980	985	990	995	1000
Wheel	RM-71	3"	75	100	126	159	200	22	27	34	38	44	12	15	20	25	30	35	40	46	55	75	80	105	110	115	120	125	130	135	140	145	150	155	160	165	170	175	180	185	190	195	200	205	210	215	220	225	230	235	240	245	250	255	260	265	270	275	280	285	290	295	300	305	310	315	320	325	330	335	340	345	350	355	360	365	370	375	380	385	390	395	400	405	410	415	420	425	430	435	440	445	450	455	460	465	470	475	480	485	490	495	500	505	510	515	520	525	530	535	540	545	550	555	560	565	570	575	580	585	590	595	600	605	610	615	620	625	630	635	640	645	650	655	660	665	670	675	680	685	690	695	700	705	710	715	720	725	730	735	740	745	750	755	760	765	770	775	780	785	790	795	800	805	810	815	820	825	830	835	840	845	850	855	860	865	870	875	880	885	890	895	900	905	910	915	920	925	930	935	940	945	950	955	960	965	970	975	980	985	990	995	1000
	RM-72	4"	100	126	159	200	22	27	34	38	44	12	15	20	25	30	35	40	46	55	75	80	105	110	115	120	125	130	135	140	145	150	155	160	165	170	175	180	185	190	195	200	205	210	215	220	225	230	235	240	245	250	255	260	265	270	275	280	285	290	295	300	305	310	315	320	325	330	335	340	345	350	355	360	365	370	375	380	385	390	395	400	405	410	415	420	425	430	435	440	445	450	455	460	465	470	475	480	485	490	495	500	505	510	515	520	525	530	535	540	545	550	555	560	565	570	575	580	585	590	595	600	605	610	615	620	625	630	635	640	645	650	655	660	665	670	675	680	685	690	695	700	705	710	715	720	725	730	735	740	745	750	755	760	765	770	775	780	785	790	795	800	805	810	815	820	825	830	835	840	845	850	855	860	865	870	875	880	885	890	895	900	905	910	915	920	925	930	935	940	945	950	955	960	965	970	975	980	985	990	995	1000	
	RM-73	5"	126	159	200	22	27	34	38	44	12	15	20	25	30	35	40	46	55	75	80	105	110	115	120	125	130	135	140	145	150	155	160	165	170	175	180	185	190	195	200	205	210	215	220	225	230	235	240	245	250	255	260	265	270	275	280	285	290	295	300	305	310	315	320	325	330	335	340	345	350	355	360	365	370	375	380	385	390	395	400	405	410	415	420	425	430	435	440	445	450	455	460	465	470	475	480	485	490	495	500	505	510	515	520	525	530	535	540	545	550	555	560	565	570	575	580	585	590	595	600	605	610	615	620	625	630	635	640	645	650	655	660	665	670	675	680	685	690	695	700	705	710	715	720	725	730	735	740	745	750	755	760	765	770	775	780	785	790	795	800	805	810	815	820	825	830	835	840	845	850	855	860	865	870	875	880	885	890	895	900	905	910	915	920	925	930	935	940	945	950	955	960	965	970	975	980	985	990	995	1000		
	RM-74	6"	159	200	22	27	34	38	44	12	15	20	25	30	35	40	46	55	75	80	105	110	115	120	125	130	135	140	145	150	155	160	165	170	175	180	185	190	195	200	205	210	215	220	225	230	235	240	245	250	255	260	265	270	275	280	285	290	295	300	305	310	315	320	325	330	335	340	345	350	355	360	365	370	375	380	385	390	395	400	405	410	415	420	425	430	435	440	445	450	455	460	465	470	475	480	485	490	495	500	505	510	515	520	525	530	535	540	545	550	555	560	565	570	575	580	585	590	595	600	605	610	615	620	625	630	635	640	645	650	655	660	665	670	675	680	685	690	695	700	705	710	715	720	725	730	735	740	745	750	755	760	765	770	775	780	785	790	795	800	805	810	815	820	825	830	835	840	845	850	855	860	865	870	875	880	885	890	895	900	905	910	915	920	925	930	935	940	945	950	955	960	965	970	975	980	985	990	995	1000			
	RM-75	8"	200	22	27	34	38	44	12	15	20	25	30	35	40	46	55	75	80	105	110	115	120	125	130	135	140	145	150	155	160	165	170	175	180	185	190	195	200	205	210	215	220	225	230	235	240	245	250	255	260	265	270	275	280	285	290	295	300	305	310	315	320	325	330	335	340	345	350	355	360	365	370	375	380	385	390	395	400	405	410	415	420	425	430	435	440	445	450	455	460	465	470	475	480	485	490	495	500	505	510	515	520	525	530	535	540	545	550	555	560	565	570	575	580	585	590	595	600	605	610	615	620	625	630	635	640	645	650	655	660	665	670	675	680	685	690	695	700	705	710	715	720	725	730	735	740	745	750	755	760	765	770	775	780	785	790	795	800	805	810	815	820	825	830	835	840	845	850	855	860	865	870	875	880	885	890	895	900	905	910	915	920	925	930	935	940	945	950	955	960	965	970	975	980	985	990	995	1000				
Rigid caster	RM-83	3"	75	100	126	159	200	22	27	34	38	44	12	15	20	25	30	35	40	46	55	75	80	105	110	115	120	125	130	135	140	145	150	155	160	165	170	175	180	185	190	195	200	205	210	215	220	225	230	235	240	245	250	255	260	265	270	275	280	285	290	295	300	305	310	315	320	325	330	335	340	345	350	355	360	365	370	375	380	385	390	395	400	405	410	415																																																																																																																					



CASTERS

Rubber Casters – Heavy Duty



SWIVEL CASTER WITH BRAKE

Product Specifications

- › Rubber caster
- › Wheel core made of zinc plated pressed steel
- › Plate made of zinc plated pressed steel
- › Wheel bearing: roller bearing
- › Note: suitable for level surfaces



WHEEL



RIGID CASTER



SWIVEL CASTER

TECHNICAL DATA dimensions in mm	wheel diameter	tread width	axle hole diameter	inside bolt hole spacing	overall height
distance between the axle and mounting plate center	size of plate	plate hole centers	plate hole diameter	outside bolt hole spacing / plate thickness	capacity

REFERENCES

SIZE

Wheel	RM-76	6"	160	40	20	56	—	—	—	—	—	—	160
Rigid caster	RM-88	3"	80	26	12	37	108	—	104x85x2,5	76x56	14x9	38x2,5	60
	RM-89	4"	101	28	12	37	128	—	104x85x3	76x56	14x9	38x3	88
Swivel caster	RM-100	3"	80	26	12	37	108	35	104x80x3	76x56	14x9	38x2,5	60
	RM-101	4"	101	28	12	37	128	35	104x80x3	76x56	14x9	38x3	88
Swivel caster with brake	RM-108	4"	101	28	12	37	128	35	104x80x3	76x56	14x9	38x3	88

Polyurethane on cast iron wheel – Extra Heavy Duty



SWIVEL CASTER WITH BRAKE

Product Specifications

- › Polyurethane on cast iron wheel
- › Plate made of zinc plated pressed steel
- › Wheel bearing: roller bearing and bushing



WHEEL



RIGID CASTER



SWIVEL CASTER

REFERENCES		SIZE													
Wheel	RM-77	3"	76	50	19	56	—	—	—	—	—	—	—	—	180
	RM-78	4"	101	50	19	56	—	—	—	—	—	—	—	—	180
	RM-79	5"	126	50	19	56	—	—	—	—	—	—	—	—	220
	RM-80	6"	152	50	19	56	—	—	—	—	—	—	—	—	280
	RM-81	8"	200	50	19	56	—	—	—	—	—	—	—	—	350
Rigid caster	RM-90	4"	101	50	19	56	142	—	114x100x6	72x85	19x11	62x6	—	—	180
	RM-91	5"	126	50	19	56	164	—	114x100x6	72x85	19x11	62x6	—	—	220
	RM-92	6"	152	50	19	56	190	—	115x100x6	72x85	19x11	62x6	—	—	280
	RM-93	8"	200	50	19	56	238	—	115x100x6	72x85	19x11	62x6	—	—	350
Swivel caster	RM-109	4"	101	50	19	56	142	33	114x100x6	72x85	19x11	62x6	—	—	180
	RM-110	5"	126	50	19	56	164	39	114x100x6	72x85	19x11	62x6	—	—	220
	RM-111	6"	152	50	19	56	190	45	115x100x6	72x85	19x11	62x6	—	—	280
	RM-112	8"	200	50	19	56	238	56	115x100x6	72x85	19x11	62x6	—	—	350
Swivel caster with brake	RM-113	4"	101	50	19	56	142	33	114x100x6	72x85	19x11	62x6	—	—	180
	RM-114	5"	126	50	19	56	164	39	114x100x6	72x85	19x11	62x6	—	—	220
	RM-115	6"	152	50	19	56	190	45	115x100x6	72x85	19x11	62x6	—	—	280



**Marcon Hydraulic Line:
robustness and reliance!**





HYDRAULIC PRESSES

98



PIPE BENDERS

112



HYDRAULIC MAINTENANCE SET, CRIMPING TOOL, HYDRAULIC PULLER

101



DUMPER AND DUMPER HOLDER

113



ENGINE CRANES

102



HYDRAULIC STACKERS

114



CHASSIS STRAIGHTENERS

106



PLATFORM LIFT TRUCKS

118



HYDRAULIC JACKS

108



HYDRAULIC SCISSOR PLATFORM TRUCKS

119



JACK STANDS

112



PALLET TRUCKS

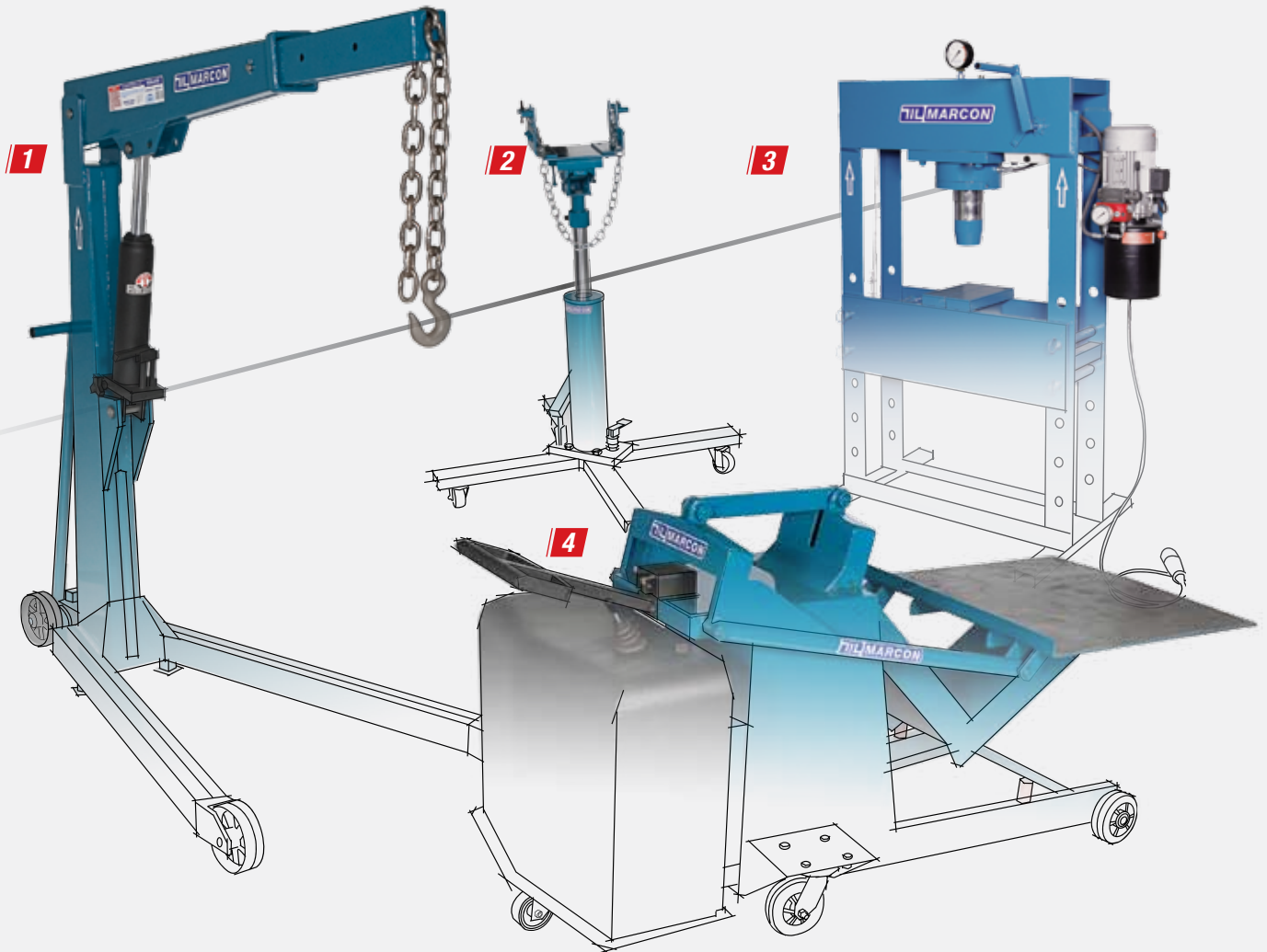
120



Compact version available



MARCON enables your company to increase its capacity according to its needs! All products are rigorously tested to ensure the production of high quality.



1
Engine crane
ref.: MGH-3TP

2
Transmission jack
ref.: 4102

3
Electric hydraulic press
ref.: MPH-60 E

4
Electric platform lift truck
ref.: 4607

5
Floor jack
ref.: MJH-2T

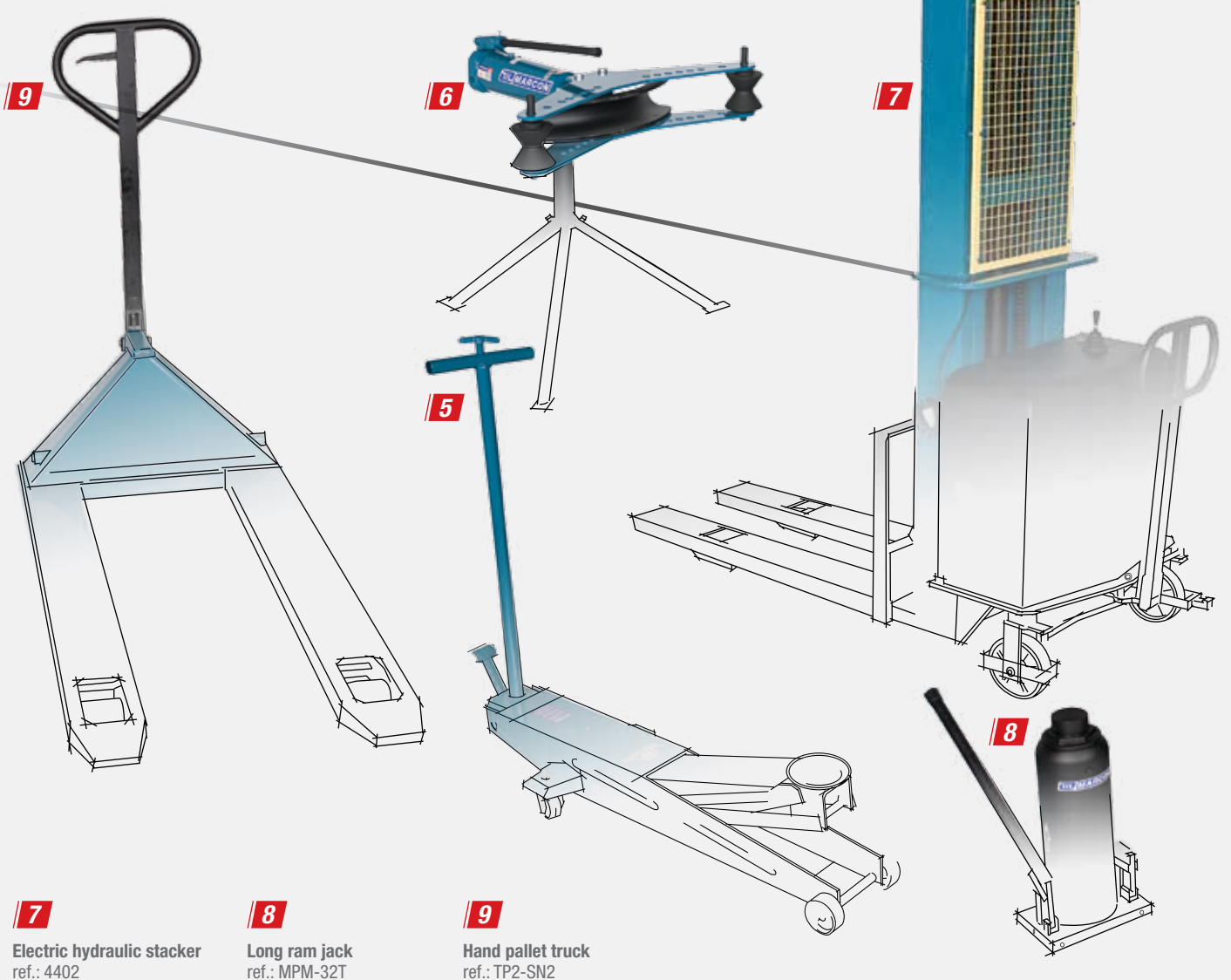
6
Pipe bender
ref.: 4501

Platform lift truck
ref.: 4601

Electric hydraulic stacker
ref.: 4404

Engine crane
ref.: MGH-3TP

Hydraulic scissor platform truck
ref.: 4304



7
Electric hydraulic stacker
ref.: 4402

8
Long ram jack
ref.: MPM-32T

9
Hand pallet truck
ref.: TP2-SN2

8



HYDRAULIC PRESSES

ref.:

W	D	H	C
506	350	705	10

MPH-10
MPH-10S*

Product Specifications

- › Interior width: 436 mm
- › Interior depth: 134 mm
- › Frame height: 600 mm
- › Base width: 350 mm
- › Table depth (interior/ exterior): 147 mm / 165 mm
- › Height (ram to table): 220 mm
- › Stroke: 120 mm
- › Weight: 39 Kg



*Hydraulic workbench press without gauge

ref.:

W	D	H	C
745	540	1530	30

MPH-30

Product Specifications

- › Interior width: 585 mm
- › Interior depth: 164 mm
- › Frame height: 1430 mm
- › Base width: 540 mm
- › Table depth (interior/ exterior): 184 mm / 215 mm
- › Height (ram to table) (min./ max.): 65 mm / 945 mm
- › Stroke: 130 mm
- › Weight: 125 Kg



ref.:

W	D	H	C
555	350	1310	15

MPH-15
MPH-15S*

Product Specifications

- › Interior width: 421 mm
- › Interior depth: 134 mm
- › Frame height: 1205 mm
- › Base width: 350 mm
- › Table depth (interior/ exterior): 152 mm / 177 mm
- › Height (ram to table) (min./ max.): 133 mm / 736 mm
- › Stroke: 120 mm
- › Weight: 59 Kg



*Hydraulic press without gauge

ref.:

W	D	H	C
1140	600	1540	45

MPH-45

Product Specifications

- › Interior width: 695 mm
- › Interior depth: 180 mm
- › Frame height: 1506 mm
- › Base width: 600 mm
- › Table depth (interior/ exterior): 210 mm / 235 mm
- › Height (ram to table) (min./ max.): 136 mm / 686 mm
- › Stroke: 135 mm
- › Weight: 213 Kg



ref.:

W	D	H	C
555	350	1310	15

MPH-15C

Product Specifications

- › Manual Table adjustment / without steel wire rope
- › Interior width: 421 mm
- › Interior depth: 134 mm
- › Frame height: 1205 mm
- › Base width: 350 mm
- › Table depth (interior/ exterior): 152 mm / 177 mm
- › Height (ram to table) (min./ max.): 128 mm / 685 mm
- › Stroke: 120 mm
- › Weight: 58 Kg



**compact
LINE**

ref.:

W	D	H	C
1285	750	1645	60

MPH-60

Product Specifications

- › Interior width: 795 mm
- › Interior depth: 200 mm
- › Frame height: 1645 mm
- › Base width: 750 mm
- › Table depth (interior/ exterior): 232 mm / 270 mm
- › Height (ram to table) (min./ max.): 42 mm / 602 mm
- › Stroke: 140 mm
- › Weight: 373 Kg



ref.:	W	D	H	C
4207	1555	750	1795	100
4208*	2050	750	1795	100



Product Specifications

- › Interior width: 895 mm
- › Interior depth: 220 mm
- › Frame height: 1795 mm
- › Base width: 750 mm
- › Table depth (interior/ exterior): 255 mm / 293 mm
- › Height (ram to table) (min./ max.): 85 mm / 645 mm
- › Stroke: 140 mm
- › Weight (4207): 593 kg
- › Weight (4208): 634 kg

*Includes auxiliary press / capacity: 15 ton

ref.:	W	D	H	C
4214	1555	750	2040	150
4215*	2050	750	2040	150



Product Specifications

- › Interior width: 895 mm
- › Interior depth: 220 mm
- › Frame height: 2040 mm
- › Base width: 750 mm
- › Table depth (interior/ exterior): 302 mm / 346 mm
- › Height (ram to table) (min./ max.): 198 mm / 758 mm
- › Stroke: 140 mm
- › Weight (4214): 834 kg
- › Weight (4215): 875 kg

*Includes auxiliary press / capacity: 15 ton

ref.:	W	D	H	C
4209	1385	750	1695	80



Product Specifications

- › Interior width: 895 mm
- › Interior depth: 220 mm
- › Frame height: 1695 mm
- › Base width: 750 mm
- › Table depth (interior/ exterior): 255 mm / 300 mm
- › Height (ram to table) (min./ max.): 73 mm / 633 mm
- › Stroke: 140 mm
- › Weight: 507 kg

ref.:	W	D	H	C
4210	1555	750	1795	125
4211*	2050	750	1795	125



Product Specifications

- › Interior width: 895 mm
- › Interior depth: 265 mm
- › Frame height: 1795 mm
- › Base width: 750 mm
- › Table depth (interior/ exterior): 302 mm / 346 mm
- › Height (ram to table) (min./ max.): 73 mm / 633 mm
- › Stroke: 140 mm
- › Weight (4210): 667 kg
- › Weight (4211): 708 kg

*Includes auxiliary press / capacity: 15 ton

Hydro pneumatic press

ref.:	W	D	H	C
MPH-30 HP	745	180	1662	30



Product Specifications

- › Interior width: 586 mm
- › Interior depth: 164 mm
- › Exterior depth: 180 mm
- › Frame height: 1530 mm
- › Base width: 540 mm
- › Table depth (interior/ exterior): 184 mm x 215 mm
- › Height (ram to table) (min./ max.): 90 mm / 860 mm
- › Stroke: 115 mm
- › Pneumatic working speed: 32,8 mm/s
- › Return speed: 23,8 mm/s
- › Manual operated hydraulic pump
- › Working pressure (lbs): 310 lbs
- › Air-operated approach stroke
- › Weight: 132 kg



Hydraulic presses with motor |

ref.:	W	D	H	C
MPH-30 E	1250	600	1602	30



Product Specifications

- › Interior width: 696 mm
- › Interior depth: 180 mm
- › Frame height: 1510 mm
- › Base width: 600 mm
- › Table depth (interior/exterior): 210 mm / 235 mm
- › Height (ram to table) (min./max.): 36 mm / 586 mm
- › Stroke: 145 mm
- › Oil tank capacity: 10 Liters (hydraulic oil AW-68)
- › Working speed: 4,5 mm/s
- › Flow: 4,37 liters per minute
- › Return speed: 6,5 mm/s
- › Motor: 2,0 HP 220 / 60Hz
- › Power requirement: 1,98 HP/220V/ 3 phase
- › Maximum pressure: 160 Bar
- › Weight: 289 Kg

Hydraulic presses with motor |

ref.:	W	D	H	C
4212	1751	750	1950	100



Product Specifications

- › Interior width: 895 mm
- › Interior depth: 320 mm
- › Frame height: 1800 mm
- › Base width: 750 mm
- › Table depth (interior/exterior): 355 mm / 393 mm
- › Height (ram to table) (min./max.): 80 mm / 640 mm
- › Stroke: 162 mm
- › Oil tank capacity: 24 Liters (hydraulic oil AW-68)
- › Working speed: 5 mm/s
- › Flow: 14 l/min
- › Return speed: 7 mm/s
- › Motor: 7,5HP 220/60Hz
- › Power requirement: 7,40HP / 220V / 3 phase
- › Maximum pressure: 195 Bar
- › Weight: 939 Kg

ref.:	W	D	H	C
MPH-60 E	1410	750	1783	60



Product Specifications

- › Interior width: 796 mm
- › Interior depth: 225 mm
- › Frame height: 1645 mm
- › Base width: 750 mm
- › Table depth (interior/exterior): 255 mm / 293 mm
- › Height (ram to table) (min./max.): 38 mm / 598 mm
- › Stroke: 140 mm
- › Oil tank capacity: 10 Liters (hydraulic oil AW-68)
- › Working speed: 5 mm/s
- › Flow: 5,7 l/min
- › Return speed: 7 mm/s
- › Motor: 3,0 HP 220 / 60Hz
- › Power requirement: 2,95HP / 220V / 3 phase
- › Maximum pressure: 185 Bar
- › Weight: 448 Kg

ref.:	W	D	H	C
4213*	2250	750	1950	100



Product Specifications

- › Interior width: 895 mm
- › Interior depth: 320 mm
- › Frame height: 1800 mm
- › Base width: 750 mm
- › Table depth (interior/exterior): 355 / 393 mm
- › Height (ram to table) (min./max.): 80 mm / 640 mm
- › Stroke: 162 mm
- › Oil tank capacity: 24 Liters (hydraulic oil AW-68)
- › Working speed: 5 mm/s
- › Flow: 14 l/min
- › Return speed: 7 mm/s
- › Motor: 7,5 HP 220 / 60Hz
- › Power requirement: 7,40HP / 220V / 3 phase
- › Maximum pressure: 195 Bar
- › Weight: 980 Kg

*Includes auxiliary press / capacity: 15 ton

Hydraulic maintenance set /

ref.: **MEH-6** stroke / C
105 mm | 6



REF.	PIECE	QTY.
C-001	hand pump	01 unit
C-002	695 mm extension pipe	01 unit
C-003	500 mm extension pipe	01 unit
C-004	300 mm extension pipe	01 unit
C-005	100 mm extension pipe	02 units
C-006	300 mm extension pipe	01 unit
C-007	200 mm extension pipe	01 unit
C-008	lock on connector	01 unit
C-009	flat base	02 units
C-010	single - acting cylinder length: 320 (min.) / 430 (max.)	01 unit
C-011	hose	01 unit

Product Specifications

- › Application: for pulling
- › Number of pieces: 13
- › Weight: 21 kg
- › Includes: hand pump, hose, cylinder and attachment components

ref.: **MEH-10** stroke / C
125 mm | 10



REF.	PIECE	QTY.
C-001	hand pump	01 unit
C-011	hose	01 unit
C-012	695 mm extension pipe	01 unit
C-013	500 mm extension pipe	01 unit
C-014	300 mm extension pipe	01 unit
C-015	wedge head	02 units
C-016	200 mm extension pipe	01 unit
C-017	100 mm extension pipe	01 unit
C-018	lock-on connector	01 unit
C-019	flat base	02 units
C-020	single - acting cylinder length: 360 (min.) / 490 (max.)	01 unit

Product Specifications

- › Application: for pulling
- › Number of pieces: 13
- › Weight: 27 kg
- › Includes: hand pump, hose, cylinder and attachment components

Hydraulic maintenance set (for pulling and spreading) /

ref.: **MEPH-1020** stroke / C
230 mm | 10/20



Product Specifications

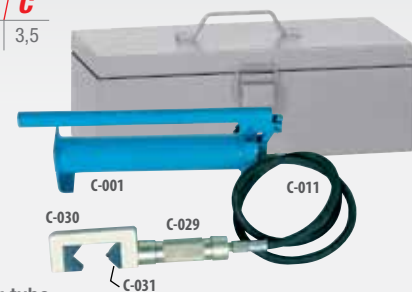
- › Application: for pulling and spreading
- › Number of pieces: 13
- › Capacity:
 - 10 ton for pulling
 - 20 ton for spreading
- › Weight: 36kg
- › Includes: hand pump, hose, cylinder, and attachment components

REF.	PIECE	QTY.
C-021	chain with hook	02 units
C-022	single chain plate	02 units
C-023	chain pin	02 units
C-024	extension pipe	01 unit
C-025	head	01 unit
C-026	base	01 unit
C-027	hand pump	01 unit
C-028	double-acting cylinder length: 505 (min.) / 740 (max.)	01 unit
C-011	hose	02 units

Hydraulic crimping tool /

ref.: **MPTH-3,5** stroke / C
48 mm | 3,5

see figure for detail:
tube terminal



Product Specifications

- › Application: for crimping tube terminals from 5,5 to 400 mm²
- › Number of pieces: 5
- › Max. height: 40 mm
- › Max. opening: 48 mm
- › Overall height: 60 mm
- › Overall length: 265 mm
- › Weight: 6,67 kg
- › Includes: 1 hand pump, 1 hose, 1 cylinder and 1 die

REF.	PIECE	QTY.
C-001	hand pump	01 unit
C-011	hose	01 unit
C-029	cylinder	01 unit
C-030	die	01 unit
C-031	die base	01 unit

Manual hydraulic puller /

ref.: **MSP-10** stroke / C
125 mm | 10



Product Specifications

- › Number of pieces: 15
- › Min. Jaw opening: 50 mm
- › Max. Jaw opening: 200 mm
- › Net weight: 18 Kg
- › Gross Weight: 23,8 Kg
- › Includes: 1 hand pump, 1 hose, 2 centering tip, 1 centering tip, 3 jaws, 06 cages, 1 cylinder

REF.	PIECE	QTY.
C-001	hand pump	01 unit
C-011	hose	01 unit
C-033	centering tip	02 units
C-034	centering tip	01 unit
C-035	jaw	03 units
C-036	cage	06 units
C-037	cylinder	01 unit



ref.:

MGH-500
MGH-500F

W	D	H	C
1450	720	1450	0,5



Product Specifications

- › U shape legs
- › Stroke: 290 mm
- › Boom length: 1300 mm
- › Leg span: 585 mm
- › Lift height (min./max.): 675 mm / 2140 mm
- › Weight: 75 Kg

MGH-500

- › Polyurethane on cast iron wheels (1/2" axle):
 - 2 rigid casters (RM-48)
 - 2 swivel casters (RM-47)

MGH-500F

- › Cast iron wheels (1/2" axle):
 - 2 rigid casters (RM-57)
 - 2 swivel casters (RM-59)

ref.:

MGH-500V
MGH-500VF

W	D	H	C
1500	780	1525	0,5



Product Specifications

- › V shape legs
- › Stroke: 290 mm
- › Boom length: 1300 mm
- › Leg span: 660 mm
- › Lift height (min./max.): 850 mm / 2275 mm
- › Weight: 68 Kg

MGH-500V

- › Polyurethane on cast iron wheels (1/2" axle):
 - 2 rigid casters (RM-48)
 - 2 swivel casters (RM-47)

MGH-500VF

- › Cast iron wheels (1/2" axle):
 - 2 rigid casters (RM-57)
 - 2 swivel casters (RM-59)

ref.: **MGH-1T**
MGH-1T-P

W	D	H	C
1640	860	1640	1



Product Specifications

- › V shape legs
- › Stroke: 310 mm
- › Boom length: 1500 mm
- › Leg span: 710 mm
- › Lift height (min./max.): 1070 mm / 2667 mm
- › Weight: 120 Kg
- › Chain length: 1110 mm

MGH-1T

- › Cast iron wheels (3/4" axle):
- 2 rigid casters (RM-58)
- 2 swivel casters (RM-36)

MGH-1T-P

- › Polyurethane on cast iron wheels (3/4" axle):
- 2 rigid casters (RM-60)
- 2 swivel casters (RM-49)

ref.: **MGH-1TP**
MGH-1TPP

W	D	H	C
2090	930	1640	1



Product Specifications

- › V shape legs
- › Stroke: 310 mm
- › Boom length (boom/ extension boom): 1600 mm/2160 mm
- › Leg span: 810 mm
- › Lift height (min./max.):
- boom: 1030 mm / 2640 mm
- extension boom: 820 mm / 3050 mm
- › Weight: 131 kg
- › Chain length: 1110 mm

MGH-1TP

- › Cast iron wheels (3/4" axle):
- 2 rigid casters (RM-58)
- 2 swivel casters (RM-36)

MGH-1TPP

- › Polyurethane on cast iron wheels (3/4" axle):
- 2 rigid casters (RM-60)
- 2 swivel casters (RM-49)

extension boom capacity per hole





ref.: **W / D / H / C**
MGH-2TP 1980 | 1100 | 1795 | 2
MGH-2TPP

Product Specifications

- › V shape legs
- › Stroke: 304 mm
- › Boom length (boom / extension boom):
1600 mm / 2160 mm
- › Leg span: 713 mm
- › Lift height (min./max.):
- extension boom: 510 mm / 2650 mm
- boom: 830 mm / 2390 mm
- › Weight: 178 Kg
- › Chain length: 1110 mm
- › 2 speed pump

MGH-2TP

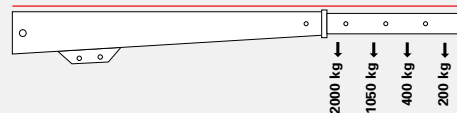
- › Cast iron wheels (3/4" axle):
- 2 rigid casters (RM-36)
- 2 swivel casters (RM-36)

MGH-2TPP

- › Polyurethane on cast iron wheels (3/4" axle):
- 2 rigid casters (RM-49)
- 2 swivel casters (RM-49)



extension boom capacity per hole



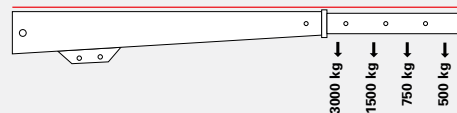
ref.: **W / D / H / C**
MGH-3TP 1980 | 1100 | 1714 | 3

Product Specifications

- › V shape legs
- › Stroke: 304 mm
- › Boom length (boom/ extension boom):
1600 mm/2160 mm
- › Leg span: 941 mm
- › Lift height (min./max.):
- extension boom: 770 mm / 3070 mm
- boom: 1040 mm / 2810 mm
- › Weight: 222 Kg
- › Chain length: 1110 mm
- › 2 speed pump
- › Cast iron wheels (3/4" axle):
- 2 rigid casters (RM-36)
- 2 swivel casters (RM-36)



extension boom capacity per hole

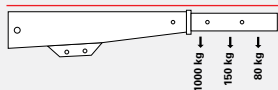


ref.:
MGH-1C
MGH-1CP

W	D	H	C
1230	825	1480	1



extension boom capacity per hole



**compact
LINE**

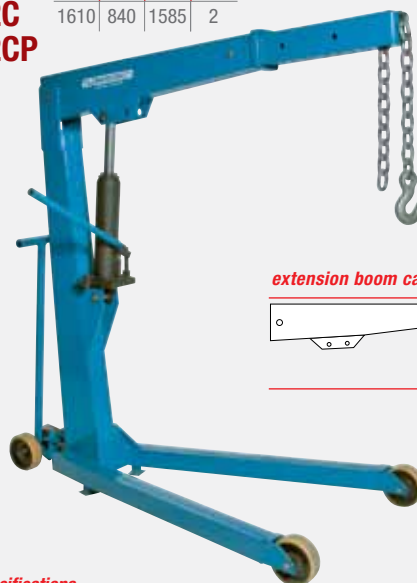
Product Specifications

- › V shape legs
- › Stroke: 290 mm
- › Boom length (boom/ extension boom): 1000 mm / 1380 mm
- › Leg span: 713 mm
- › Lift height(min./max.):
 - extension boom: 950 mm / 2400 mm
 - boom: 1070 mm / 2110 mm
- › Weight: 93 Kg
- › Chain length: 1110 mm

- MGH-1C**
- › Cast iron wheels (3/4" axle):
 - 2 rigid casters (RM-58)
 - 2 swivel casters (RM-36)
- MGH-1CP**
- › Polyurethane on cast iron wheels (3/4" axle):
 - 2 rigid casters (RM-60)
 - 2 swivel casters (RM-49)

ref.:
MGH-2C
MGH-2CP

W	D	H	C
1610	840	1585	2



extension boom capacity per hole



**compact
LINE**

Product Specifications

- › V shape legs
- › Stroke: 310 mm
- › Boom length (boom/ extension boom): 1100 mm / 1470 mm
- › Leg span: 695 mm
- › Lift height (min./max.):
 - extension boom: 850 mm / 2580 mm
 - boom: 1020 mm / 2280 mm
- › Weight: 133 Kg
- › Chain length: 1110 mm

- MGH-2C**
- › Cast iron wheels (3/4" axle):
 - 2 rigid casters (RM-36)
 - 2 swivel casters (RM-36)
- MGH-2CP**
- › Polyurethane on cast iron wheels (3/4" axle):
 - 2 rigid casters (RM-49)
 - 2 swivel casters (RM-49)

ref.:
MGH-300FT
MGH-300T

W	D	H	C
1250	720	1540	0,3



Product Specifications

- › U shape legs
- › Transports drum up to 200 liters
- › Stroke: 290 mm
- › Boom length: 900 mm
- › Leg span: 585 mm
- › Lift height (min./max.): 912 mm / 2190 mm
- › Max. drum lift: 770 mm/90°
- › Net weight: 73 kg
- › Gross Weight: 74 kg

- MGH-300FT**
- › Cast iron wheels (1/2" axle):
 - 2 rigid casters (RM-59)
 - 2 swivel casters (RM-59)

- MGH-300T**
- › Polyurethane on cast iron wheels (1/2" axle):
 - 2 rigid casters (RM-47)
 - 2 swivel casters (RM-47)

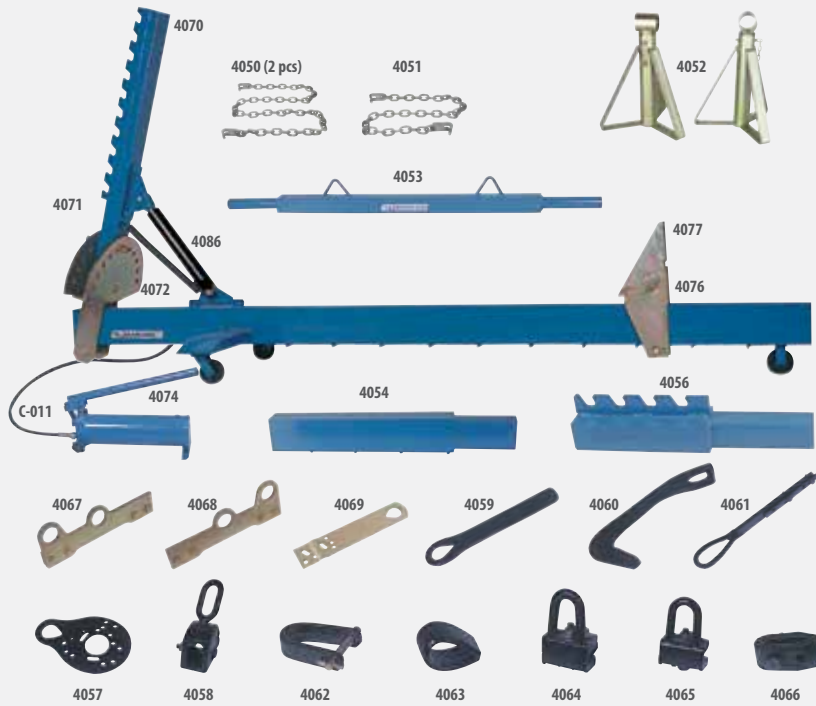
*Does not include drum



CHASSIS STRAIGHTENERS

ref.: **4001** | **4001-P**

H min	H max	C
395	675	15



Product Specifications

- › Main beam: 6" channel iron
- › Includes post extension and adjustable tilting post
- › Includes 29 pieces
- › Stroke: 307 mm

4001

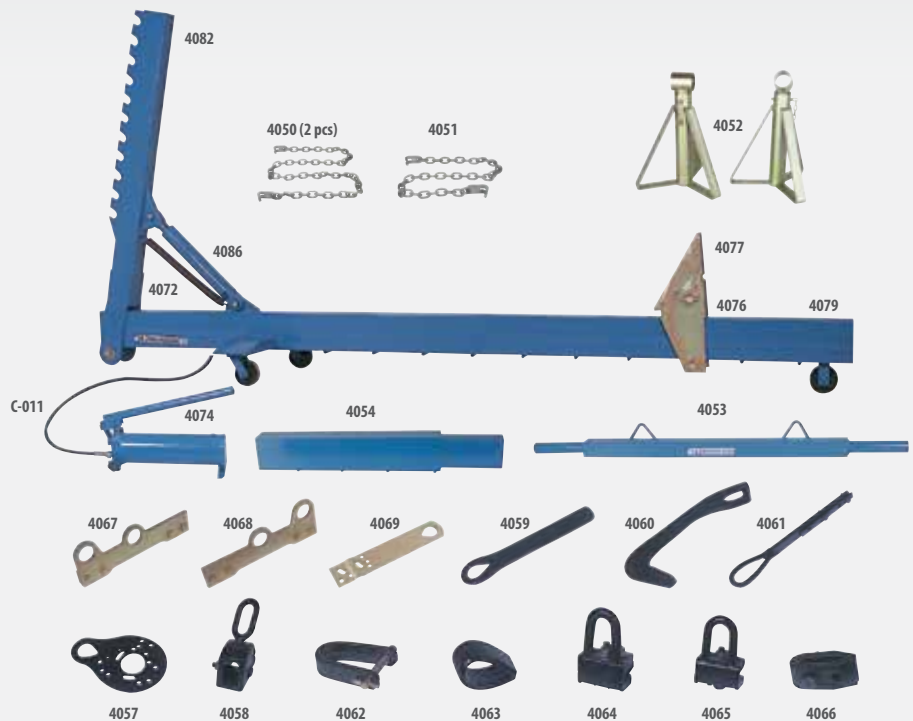
- › Cast iron wheels:
 - 1 rigid wheel (RM-57)
 - 2 swivel wheels (RM-57)

4001-P

- › Polyurethane on cast iron wheels:
 - 1 rigid wheel (RM-48)
 - 2 swivel wheels (RM-48)

ref.: **4002** | **4002-P**

H min	H max	C
395	675	15



Product Specifications

- › Main beam: 6" channel iron
- › Includes post extension
- › Includes 28 pieces
- › Stroke: 307 mm

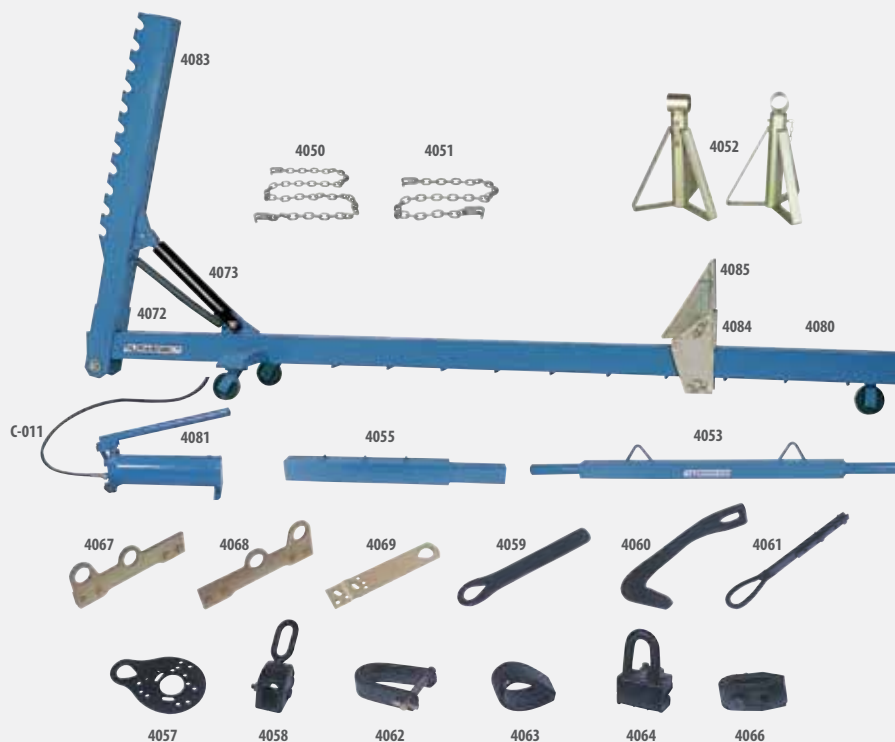
4002

- › Cast iron wheels:
 - 1 rigid wheel (RM-57)
 - 2 swivel wheels (RM-57)

4002-P

- › Polyurethane on cast iron wheels:
 - 1 rigid wheel (RM-48)
 - 2 swivel wheels (RM-48)

ref.: **4003** **H min / H max / C**
 395 | 675 | 8
4003-P



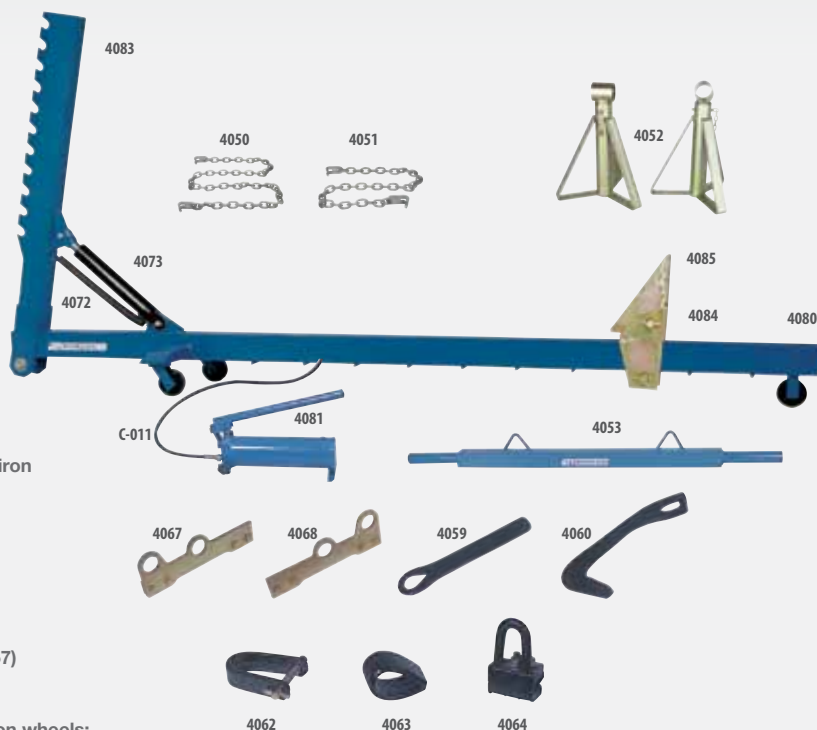
Product Specifications

- › Main beam: 4" channel iron
- › Includes post extension
- › Includes 26 pieces
- › Stroke: 322 mm

- 4003**
- › Cast iron wheels:
 - 1 rigid wheel (RM-57)
 - 2 swivel wheels (RM-57)

- 4003-P**
- › Polyurethane on cast iron wheels:
 - 1 rigid wheel (RM-48)
 - 2 swivel wheels (RM-48)

ref.: **4004** **H min / H max / C**
 395 | 675 | 8
4004-P



Product Specifications

- › Main beam: 4" channel iron
- › Includes post extension
- › Includes 20 pieces
- › Stroke: 322 mm

- 4004**
- › Cast iron wheels:
 - 1 rigid wheel (RM-57)
 - 2 swivel wheels (RM-57)

- 4004-P**
- › Polyurethane on cast iron wheels:
 - 1 rigid wheel (RM-48)
 - 2 swivel wheels (RM-48)

MODEL	SPECIFICATIONS
4050	chain 2.70m with 2 hooks
4051	chain 2.10m with 2 hooks
4052	2 support stands
4053	cross tube
4054	main beam extension
4055	main beam extension
4056	post extension
4057	pull plate (FIAT)
4058	pull clamp
4059	universal pull plate
4060	universal hook (500mm)
4061	pull plate (GM)
4062	side pull bracket (100mm)
4063	side pull bracket
4064	pull clamp 100mm (thick)
4065	pull clamp 100mm (thin)
4066	pull clamp (45mm)
4067	left sill clamp
4068	right sill clamp
4069	multi-hole pull plate (VW)
4070	post
4071	adjustable post support
4072	spring
4073	ram
4074	hydraulic pump 700Bar
C-011	hose
4076	adjustable support
4077	support extension
4078	main beam
4079	main beam
4080	main beam
4081	hydraulic pump 700Bar
4082	post
4083	post
4084	adjustable support
4085	support extension
4086	ram



FLOOR JACKS

Compact floor jack

ref.:	W	D	H	C
MJH-2C	650	380	160	2
MJH-2CP				

Product Specifications

- › Total height with handle: 885 mm
- › Lift height (min./max.): 130 mm / 530 mm
- › Weight: 32 kg

- | | |
|----------------------------|------------------------------------|
| MJH-2C | MJH-2CP |
| › Cast iron wheels: | › Polyurethane on cast iron wheels |
| - 2 rigid casters (RM-50) | - 2 rigid casters (RM-60) |
| - 2 swivel casters (RM-51) | - 2 swivel casters (RM-47) |



Floor jacks

ref.:	W	D	H	C
MJH-2T	1100	360	170	2
MJH-2TP				

Product Specifications

- › Total height with handle: 1100 mm
- › Lift height (min./max.): 140 mm / 585 mm
- › Weight: 42 kg

- | | |
|----------------------------|-------------------------------------|
| MJH-2T | MJH-2TP |
| › Cast iron wheels: | › Polyurethane on cast iron wheels: |
| - 2 rigid casters (RM-50) | - 2 rigid casters (RM-60) |
| - 2 swivel casters (RM-51) | - 2 swivel casters (RM-47) |



ref.:	W	D	H	C
MJH-3T	1185	366	176	3
MJH-3TP				

Product Specifications

- › Total height with handle: 1096 mm
- › Lift height (min./max.): 140 mm / 585 mm
- › Weight: 53 kg

- | | |
|----------------------------|-------------------------------------|
| MJH-3T | MJH-3TP |
| › Cast iron wheels: | › Polyurethane on cast iron wheels: |
| - 2 rigid casters (RM-50) | - 2 rigid casters (RM-56) |
| - 2 swivel casters (RM-51) | - 2 swivel casters (RM-57) |



ref.:	W	D	H	C
MJH-5T	1354	373	198	5
MJH-5TP				

Product Specifications

- › Total height with handle: 1140 mm
- › Lift height (min./max.): 147 mm / 560 mm
- › Weight: 85 kg

- | | |
|----------------------------|-------------------------------------|
| MJH-5T | MJH-5TP |
| › Cast iron wheels: | › Polyurethane on cast iron wheels: |
| - 2 rigid casters (RM-65) | - 2 rigid casters (RM-66) |
| - 2 swivel casters (RM-57) | - 2 swivel casters (RM-47) |



Floor jacks

ref.:	W	D	H	C
MJH-10T	1488	485	249	10
MJH-10TP				

Product Specifications

- › Total height with handle: 1194 mm
- › Lift height (min./max.): 175 mm / 576 mm
- › Weight: 133 kg

- | |
|----------------------------|
| MJH-10T |
| › Cast iron wheels: |
| - 2 rigid casters (RM-67) |
| - 2 swivel casters (RM-69) |

- | |
|-------------------------------------|
| MJH-10TP |
| › Polyurethane on cast iron wheels: |
| - 2 rigid casters (RM-68) |
| - 2 swivel casters (RM-46) |



ref.:	W	D	H	C
MJH-20T	1474	485	270	20
MJH-20TP				

Product Specifications

- › Total height with handle: 1215 mm
- › Lift height (min./max.): 182 mm / 530 mm
- › Weight: 145 kg

- | |
|----------------------------|
| MJH-20T |
| › Cast iron wheels: |
| - 2 rigid casters (RM-67) |
| - 2 swivel casters (RM-69) |

- | |
|-------------------------------------|
| MJH-20TP |
| › Polyurethane on cast iron wheels: |
| - 2 rigid casters (RM-68) |
| - 2 swivel casters (RM-46) |



Cross beam adapter

ref.:	W	D	H
4103	1200	150	160

Ideal for front and side lifting



Product Specifications

- › For use with MJH-2T or MJH-2TP jacks
- › Lifting height (min./max.): 173 mm / 638 mm

Toe jacks

ref.:	W	D	H	C
MU-5T	306	170	315	5



Product Specifications

- › Min. lifting height (toe): 28 mm
- › Max. lifting height (toe): 173 mm
- › Min. lifting height (head): 315 mm
- › Max. lifting height (head): 460 mm
- › Stroke: 145 mm
- › Handle length: 500 mm
- › Base length: 276 mm
- › Weight: 30 kg



Transmission jack (The intended use is for passenger cars)

ref.:	D	H min	H max	C
4102	1000	1015	1885	0,5

Product Specifications

- › Stroke: 870 mm
- › Saddle plate size: 280 mm x 310 mm
- › Wheels: - 4 swivel 3" casters



ref.:	W	D	H	C
MU-10T	305	217	321	10



Product Specifications

- › Min. lifting height (toe): 35 mm
- › Max. lifting height (toe): 180 mm
- › Min. lifting height (head): 321 mm
- › Max. lifting height (head): 366 mm
- › Stroke: 145 mm
- › Handle length: 500 mm
- › Base length: 300 mm
- › Weight: 40 kg



Long ram hydraulic jack

ref.:	H min	H max	C
MPM-32T	480	820	32

Product Specifications

- › 2 speed pump
- › Stroke: 350 mm
- › Weight: 33 kg



Transmission jack (The intended use is for trucks)

ref.:	W	D	H	C
4104	1225	700	290	0,75
4105				

adjustable hand lever



Product Specifications

- | | |
|--|--|
| › Height (min./max.):
190 mm / 880 mm | 4104 |
| › Stroke: 158 mm | › Cast iron wheels:
- 2 rigid casters (RM-51)
- 2 swivel casters (RM-51) |
| › Saddle plate size:
490 mm x 445 mm | 4105 |
| › Manual pumping | › Polyurethane on cast iron wheels:
- 2 rigid casters (RM-47)
- 2 swivel casters (RM-47) |
| › Saddle plate tilt:
15° (both sides) | |
| › Net weight: 93 kg | |

ref.:	H min	H max	C
4101	460	800	20

Product Specifications

- › Stroke: 340 mm
- › Weight: 22 kg





BOTTLE JACKS

Bottle jacks

ref.:

GM-2T



Bottle jacks

ref.:

GM-5T



Bottle jacks

ref.:

GM-10T



ref.:

GM-3T



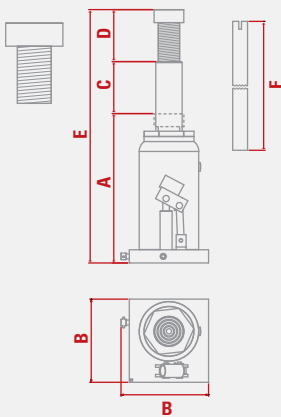
ref.:

GM-8T



ref.:

GM-12T



	TECHNICAL DATA	MEASURES	GM-2T	GM-3T	GM-5T	GM-8T	GM-10T	GM-12T
	Capacity	ton	2	3	5	8	10	12
A	Min. lift height	mm	181	194	216	230	230	230
B	Base size	mm	88x92	100x92	112x96	118x103	123x110	134x116
C	Stroke	mm	116	118	127	147	150	155
D	Extension screw capacity	mm	48	60	70	80	80	60
E	Max. lift height	mm	345	372	413	457	460	465
F	Total length of handle	mm	260	290	290	290	343	343
	Weight	kg	2,9	3,6	4,8	6,3	6,8	8

Bottle jacks

ref.:

GM-15T



Bottle jacks

ref.:

GM-32T



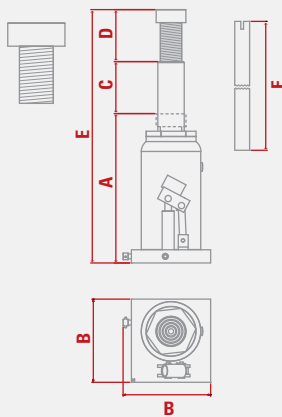
ref.:

GM-20T



ref.:

GM-50T



	TECHNICAL DATA	MEASURES	GM-15T	GM-20T	GM-32T	GM-50T
	Capacity	ton	15	20	32	50
A	Min. lift height	mm	230	242	285	300
B	Base size	mm	136x133	150x144	190x152	218x176
C	Stroke	mm	150	150	180	180
D	Extension screw capacity	mm	80	60	—	—
E	Max. lift height	mm	460	452	465	480
F	Total length of handle	mm	260	290	290	343
	Weight	kg	8,9	11,5	21	30



JACK STANDS AND PIPE BENDERS

Jack stands

ref.:	W	D	H	C
CV-2T	270	270	325	2



Product Specifications

- › Min. Height: 325 mm
- › Max. Height: 515 mm
- › Weight: 3,9 kg

ref.:	W	D	H	C
CV-2,5T	320	320	350	2,5



Product Specifications

- › Min. Height: 350 mm
- › Max. Height: 625 mm
- › Weight: 5,5 kg

ref.:	W	D	H	C
CV-3T	320	320	415	3



Product Specifications

- › Min. Height: 415 mm
- › Max. Height: 695 mm
- › Weight: 7,4 kg

Pipe bender (DIN 2441 - Schedule 40)

ref.:	W	D	H	C
4501	810	880	910	10

Ø2 1/2"	
Ø2"	
Ø1 1/2"	
Ø1 1/4"	
Ø1"	
Ø3/4"	
Ø1/2"	



Product Specifications

- › Pipes from Ø 1/2" to Ø 3" (wall thickness: from 3 mm to 10 mm)
- › Solid tubes: from Ø 1/2" to Ø 1 1/2"
- › Stroke: 300 mm
- › Weight: 97 kg

Pipe bender (DIN 2441 - Schedule 40)

ref.:	W	D	H	C
4502	625	175	625	15

Ø2"	
Ø1 1/2"	
Ø1"	
Ø3/4"	
Ø1 1/4"	



Product Specifications

- › Pipes from Ø 1/2" to Ø 2" (wall thickness: from 3 mm to 10 mm)
- › Solid tubes: from Ø 1/2" to Ø 1 1/2"
- › Stroke: 200 mm
- › Weight: 81 kg

Electric Pipe bender (DIN 2441 - Schedule 40)

ref.:	W	D	H	C
4503	1060	910	1080	10

Product Specifications

- › Pipes from Ø 1/2" to Ø 3" (wall thickness: from 3 mm to 10 mm)
- › Solid tubes: from Ø 1/2" to Ø 1.1/2"
- › Stroke: 300 mm
- › Motor: hydraulic pump
- › Flow: 7,5L/min
- › Voltage: 220V
- › Power: 3000W
- › Support tilt: 180°
- › Net weight: 141 kg
- › Gross weight: 154 kg
- › 4" cast iron wheels:
 - 2 rigid casters
 - 2 swivel casters (1 with brake)



Ø2 1/2"	
Ø2"	
Ø1 1/2"	
Ø1 1/4"	
Ø1"	
Ø3/4"	
Ø1/2"	

Dumper holder for stackers

ref.:	W	D	H	C
4406	1003	942	1050	1

Product in use



Product Specifications

- › Space to fit dumper fitting bracket: 120 mm
- › Required Dumper size: 823 mm x 778 mm
- › Fork span: 562 mm
- › Net weight: 101 kg
- › Gross weight: 101,6 kg

Dumper

ref.:	W	D	H	C
4407	1020	1025	903	1*

* 563 liters

Product in use



Product Specifications

- › Designed to use with dumper holder
- › Makes waste transport and disposal easier
- › Improves safety and cleaning at workspace
- › Dumper fitting bracket diameter: 100 mm
- › Dumper size: 823 mm x 778 mm
- › Fork span: 562 mm
- › Net weight: 94 kg
- › Gross weight: 94,6 kg

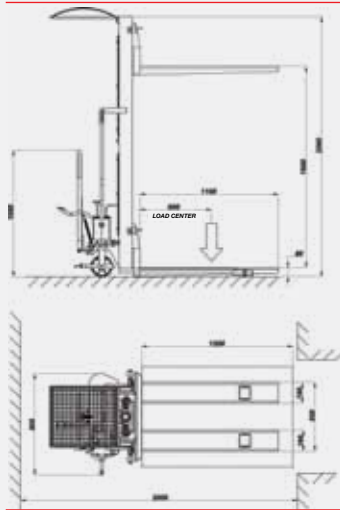


HYDRAULIC STACKERS

Manual hydraulic stacker

ref.:	W	D	H	C
4401	1610	807	2060	1

Dimension references



exclusive pump system
foot pedal or manual pump
to raise the forks



manual
pump

foot
pedal



Product Specifications

- › Max. load capacity (steering wheels): 399 Kg
- › Max. load capacity (load wheels): 836 Kg
- › Lifting height (min./max.): 80 mm / 1600 mm
- › Fork width: 1100 mm
- › Fork length: 550 mm
- › Manual operated hydraulic pump
- › Foot operated brake for stationary positioning
- › Foot pedal or manual pump to raise the forks
- › Weight: 262 kg
- › Nylon Wheels:
 - 2 rigid load wheels (RM-55)
 - 2 swivel steering wheels Ø168 x 51 mm

Hydraulic drum stacker

ref.:	W	D	H	C
4405	1171	998	2150	0,3

Product Specifications

- › Max. load capacity (load wheels): 150 Kg
- › Max. load capacity (steering wheels): 300 Kg
- › Lifting height (min./max.): 300 mm / 1795 mm
- › Fork width: 700 mm
- › Fork length: 860 mm
- › Manual operated hydraulic pump
- › Stroke: 750 mm
- › Foot pedal or manual pump to raise the forks
- › Load center: 615 mm
- › Air roll-over angle: 180° (Drum can be rotated up to required angle max 180 Degrees)
- › Net weight: 210 kg
- › Gross weight: 210,8 kg
- › Transports drum up to 200 liters
- › Polyurethane on cast iron wheels:
 - 2 rigid load wheels (RM-63)
 - 2 swivel 6" steering wheels (1 with brake)

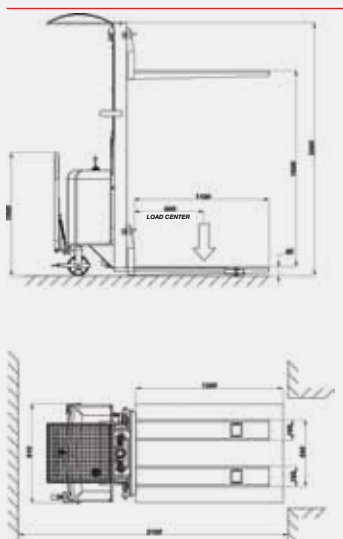


* Does not include drum

Electric hydraulic stackers – Lifting by battery

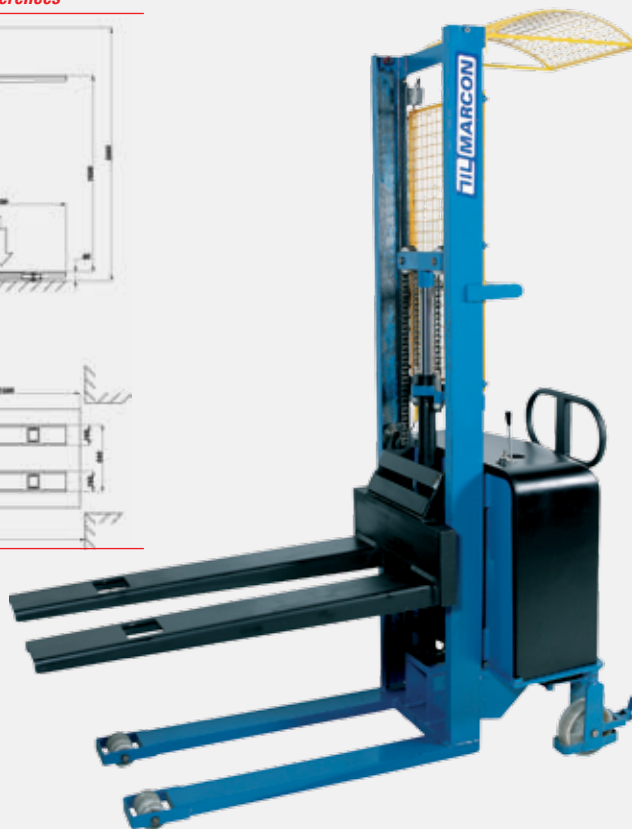
ref.:	W	D	H	C
4402	1745	675	2060	1

Dimension references



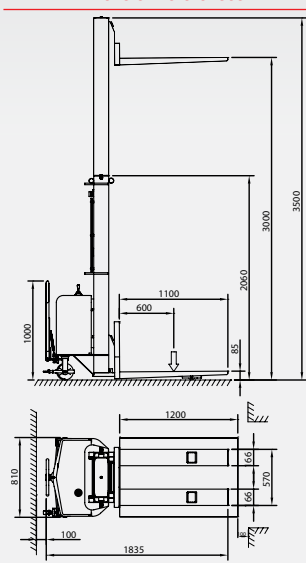
Product Specifications

- › Max. load capacity (steering wheels): 399 Kg
- › Max. load capacity (load wheels): 836 Kg
- › Lifting height (min./max.): 80 mm / 1600 mm
- › Fork width: 1100 mm
- › Fork length: 550 mm
- › Foot operated brake for stationary positioning
- › Power supply: battery
- › Battery capacity (V/Ah): 12/185
- › Battery autonomy: 4 hours
- › Lifting motor: 1,2KW
- › Lifting speed: 13 cm/s
- › Battery charger (A/V): KL240 12V
- › Weight: 340 kg
- › Nylon wheels:
 - 2 rigid load wheels (RM-55)
 - 2 swivel steering wheels: Ø168 x 51 mm



ref.:	W	D	H	C
4410	1610	670	2060	1
4411				

Dimension references



Product Specifications

- › Max. load capacity (steering wheels): 399 Kg
- › Max. load capacity (load wheels): 836 Kg
- › Lifting height (min./max.): 85 mm / 3000 mm
- › Mast height: (min./max.): 2060 mm / 3500 mm
- › Fork width: 1100 mm
- › Fork length: 550 mm
- › Power supply: battery
- › Battery capacity (V/Ah): 12/185
- › Battery autonomy: 4 hours
- › Lifting speed (unladen/laden): 3,0/2,0 m/min
- › Lowering speed (unladen/laden): 2,4/3,0 m/min
- › Lifting motor:
 - Mini Hydraulic Power Unit: CE 12H50M 19AAN
- › Battery charger:
 - Model KL240 12V
 - Electrical current: 15A
- › Weight: 573 kg

- 4410
- › Nylon wheels:
 - 2 rigid load wheels (RM-55) with sealed bearing
 - 2 swivel steering wheels: Ø170 x 50 mm

- 4411
- › Polyurethane on cast iron wheels:
 - 2 rigid load wheels (RM-61) with sealed bearing
 - 2 swivel steering wheels: Ø170 x 50 mm



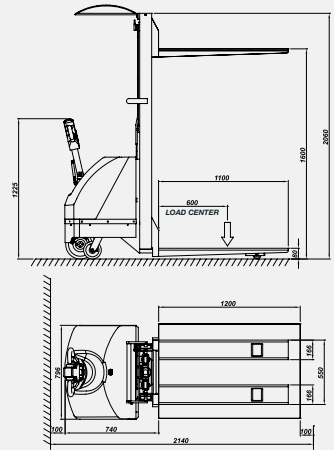


HYDRAULIC STACKERS

Electric hydraulic stacker – Lifting and traction by battery |

ref.:	W	D	H	C
4403	1610	670	2060	1

Dimension references



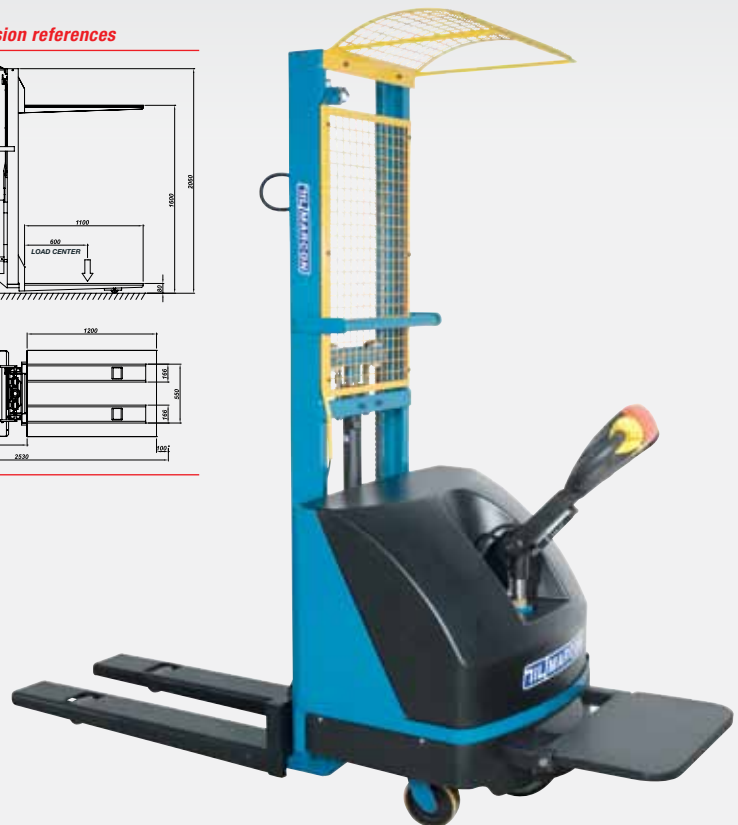
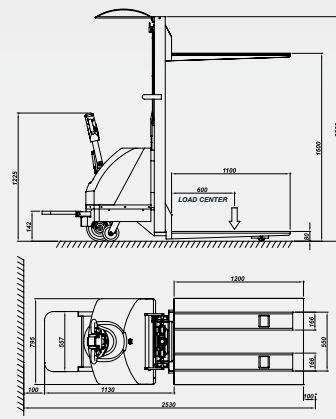
* Does not include operator platform

Product Specifications

- › Max. load capacity (steering wheels): 399 Kg
- › Max. load capacity (load wheels): 836 Kg
- › Lifting height (min./max.): 80 mm / 1600 mm
- › Fork width: 1100 mm
- › Fork length: 550 mm
- › Power supply: 2 batteries
- › Capacity (V/Ah): 12 / 140
- › Battery autonomy: 4 hours
- › Lifting speed (unladen/laden): 3,0/2,0 m/min
- › Lowering speed (unladen/laden): 2,4/3,0 m/min
- › Max. speed (unladen/laden): 6,0 /5,0 km/h
- › Lifting motor:
 - Mini Hydraulic Power Unit: W8010 - 24V/2,0KW
- › Battery charger:
 - Model PX20 60Hz
 - Battery voltage/nominal capacity (V/Ah): 24 V CC 220V C.A
 - Electrical current: 20 Ah
- › Traction motor: traction wheel
 - Model: W1000/24V/A70/RPM 3500
- › Speed controller: BU Eletronics (model 20IP)
- › Weight: 459 kg
- › Polyurethane on cast iron wheels:
 - 2 rigid load wheels (RM-61) with sealed bearing
 - 2 swivel steering wheels: Ø170 x 50 mm

ref.:	W	D	H	C
4404	1745	675	2060	1

Dimension references



*Includes operator platform

Product Specifications

- › Max. load capacity (steering wheels): 399 Kg
- › Max. load capacity (load wheels): 836 Kg
- › Lifting height (min./max.): 80 mm / 1600 mm
- › Fork width: 1100 mm
- › Fork length: 550 mm
- › Power supply: 2 traction batteries 12MI/140Ah
- › Battery autonomy: 4 hours
- › Lifting speed (unladen/laden): 3,0/2,0 m/min
- › Lowering speed (unladen/laden): 2,4/3,0 m/min
- › Max. speed (unladen/laden): 6,0/5,0 km/h
- › Lifting motor:
 - Mini Hydraulic Power Unit: W8010-24V/2,0KW
- › Battery charger:
 - Model PX20 60Hz
 - Battery voltage/nominal capacity (V/Ah): 24V CC 220V C.A
 - Electrical current: 20 Ah
- › Traction motor: traction wheel
 - Model: W1300/24V/A70/RPM 3400
- › Speed controller: BU Electronics (model 2430-EXPS)
- › Weight: 477 kg
- › Polyurethane on cast iron wheels:
 - 2 rigid load wheels (RM-61) with sealed bearing
 - 2 swivel steering wheels: Ø170 x 50 mm

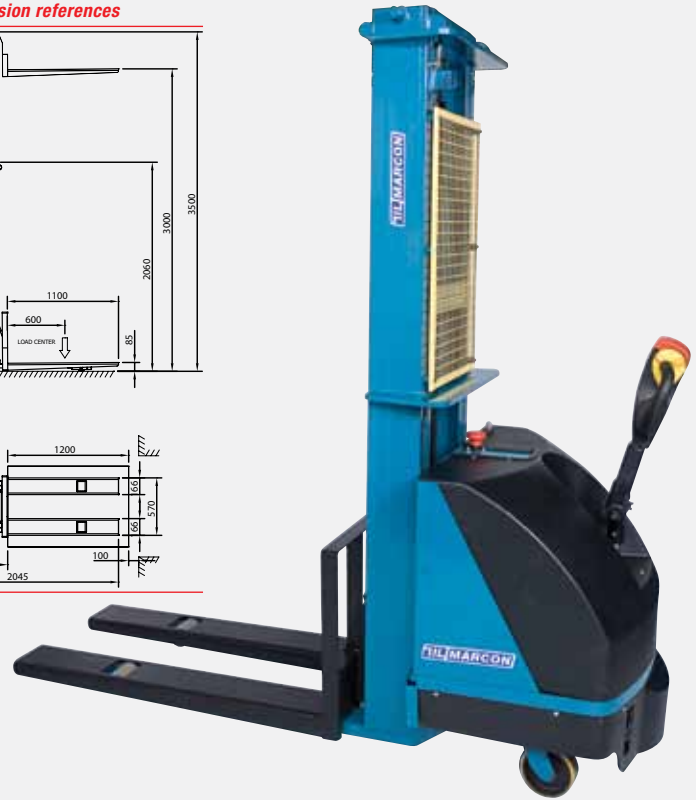
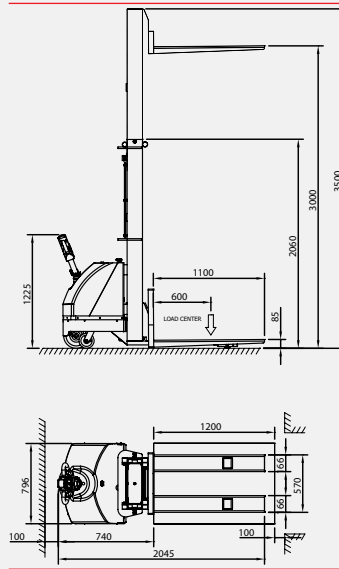
Electric hydraulic stacker – Lifting and traction by battery

ref.:	W	D	H	C
4409	2090	930	2060 3500	1

Product Specifications

- › Max. load capacity (steering wheels): 399 kg
- › Max. load capacity (load wheels): 836 kg
- › Lifting height (min./max.): 85 mm / 3000 mm
- › Mast height (min./max.): 2060 mm / 3500 mm
- › Fork width: 1100 mm
- › Fork length: 550 mm
- › Power supply: 2 traction batteries: 12ML / 140Ah
- › Battery autonomy: 4 hours
- › Lifting speed (unladen/laden): 3,0/2,0 m/min
- › Lowering speed (unladen/laden): 2,4/3,0 m/min
- › Max. speed (unladen/laden): 6,0/5,0 km/h
- › Lifting motor:
 - Mini Hydraulic Power Unit: W8010-24V/2,0KW
- › Battery charger:
 - Model: PX20 60Hz
 - Battery voltage/nominal capacity (V/Ah): 24V CC220V C.A
- › Electrical current: 20Ah
- › Traction motor: traction wheel
 - Model: W1000 / 24V / A70 / RPM 3500
- › Speed controller: BU Eletronics (model: 20 IP)
- › Weight: 597 kg
- › Polyurethane on cast iron wheels:
 - 2 rigid load wheels (RM-61) with sealed bearing
 - 2 swivel steering wheels: Ø170 x 50 mm

Dimension references



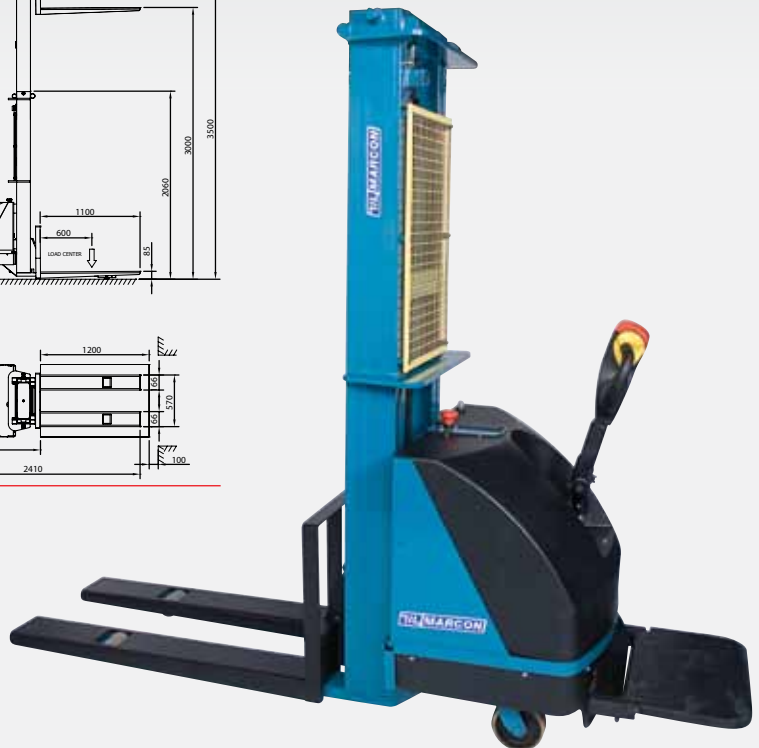
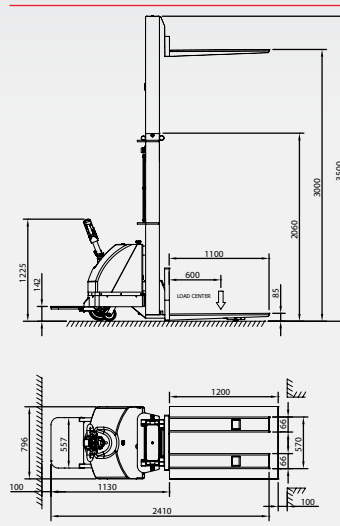
* Does not include operator platform

ref.:	W	D	H	C
4408	1640	860	2060 3500	1

Product Specifications

- › Max. load capacity (steering wheels): 399 kg
- › Max. load capacity (load wheels): 836 kg
- › Lifting height (min./max.): 85 mm / 3000 mm
- › Mast height (min./max.): 2060 mm / 3500 mm
- › Fork width: 1100 mm
- › Fork length: 550 mm
- › Power supply: 2 traction batteries: 12ML / 140Ah
- › Battery autonomy: 4 hours
- › Lifting speed (unladen/laden): 3,0/2,0 m/min
- › Lowering speed (unladen/laden): 2,4/3,0 m/min
- › Max. speed (unladen/laden): 6,0/5,0 km/h
- › Lifting motor:
 - Mini Hydraulic Power Unit: W8010-24V/2,0KW
- › Battery charger:
 - Model: PX20 60Hz
 - Battery voltage/nominal capacity (V/Ah): 24V CC220V C.A
 - Electrical current: 20Ah
- › Traction motor: traction wheel
 - Model: W1300 / 24V / A70 / RPM 3400
- › Speed controller: BU Eletronics (model: 2430 EXPS)
- › Weight: 615 kg
- › Polyurethane on cast iron wheels:
 - 2 rigid load wheels (RM-61) with sealed bearing
 - 2 swivel steering wheels: Ø170 x 50 mm

Dimension references



*Includes operator platform

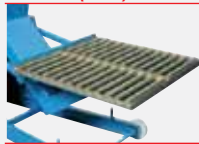


Platform lift trucks /

ref.:	W	D	H	C
4601	1700	830	960	0,6
4602				



Platform with rollers (4602)



Product Specifications

- › 2 speed pump: manual pump or foot pedal
- › Table size: 800 x 800 mm
- › Min. lift height: 240 mm
- › Max. lift height: 1550 mm
- › 6" x 2" Nylon wheels:
 - 2 rigid wheels (axle 3/4")
 - 2 swivel wheels (axle 1/2")

- 4601
- › Weight: 219 Kg
- 4602
- › Platform with zinc plated rollers (rotating)
- › Weight: 258 Kg

Platform lift trucks /

ref.:	W	D	H	C
4605	1650	840	1000	1
4606				



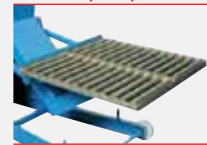
Product Specifications

- › 2 speed pump: manual pump or foot pedal
- › Table size: 800 x 800 mm
- › Min. lift height: 220 mm
- › Max. lift height: 1440 mm
- › Nylon wheels:
 - 2 rigid 6" wheels
 - 2 swivel 4" wheels

- 4605
- › Weight: 288 Kg

- 4606
- › Platform with zinc plated rollers (rotating)
- › Weight: 327 Kg

Platform with rollers (4606)



ref.:	W	D	H	C
4603	1700	720	960	0,5
4604				



Product Specifications

- › 2 speed pump: manual pump or foot pedal
- › Table size: 800 x 800 mm
- › Min. lift height: 220 mm
- › Max. lift height: 1405 mm
- › Nylon wheels:
 - 2 rigid 6" wheels
 - 2 swivel 4" wheels

- 4603
- › Weight: 186 Kg

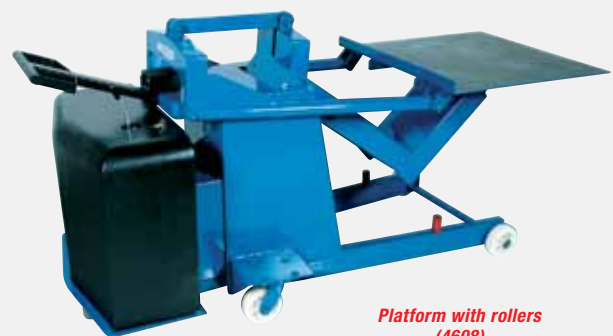
- 4604
- › Platform with zinc plated rollers (rotating)
- › Weight: 225 Kg

Platform with rollers (4604)



Electric platform lift truck – Lifting by battery /

ref.:	W	D	H	C
4607	1800	830	960	0,6
4608				



Platform with rollers (4608)



Product Specifications

- › Table size: 800 x 800 mm
- › Min. lift height.: 240 mm
- › Max. lift height.: 1550 mm
- › Lifting speed: 19 cm/s
- › Power supply: battery voltage/ nominal capacity (V/Ah): 12 / 185
- › Battery autonomy: 4 hours
- › Lifting motor: 1,2KW
- › Battery charger (A/V): KL240/12V
- › 6" x 2" nylon wheels:
 - 2 rigid wheels (axle 3/4")
 - 2 swivel wheels (axle 1/2")

- 4607
- › Weight: 302 Kg

- 4608
- › Platform with zinc plated rollers (rotating)
- › Weight: 341 Kg

Hydraulic scissor platform trucks /

ref.:	W	D	H	C
4301	880	570	250	0,25

Platform (lifted)



Product Specifications

- › Overall height with handle: 1114 mm
- › Table size: 835 x 505 mm
- › Min. platform height: 250 mm
- › Max. platform height: 840 mm
- › Includes Flow Meter
- › Weight: 74 kg



Hydraulic scissor platform trucks – fast approach /

ref.:	W	D	H	C
4304	1045	680	305	0,25

Platform (lifted)



Product Specifications

- › 2 speed pump: manual operated hydraulic pump or foot pedal
- › Table size: 835 x 505 mm
- › Min. platform height: 305 mm
- › Max. platform height: 1340 mm
- › Weight: 131 kg



ref.:	W	D	H	C
4302	880	680	305	0,25

Platform (lifted)



Product Specifications

- › Overall height with handle: 1114 mm
- › Table size: 835 x 505 mm
- › Min. platform height: 305 mm
- › Max. platform height: 1340 mm
- › Includes Flow Meter
- › Weight: 113 kg



ref.:	W	D	H	C
4305	758	1426	1246	0,50

Platform (lifted)



Product Specifications

- › 2 speed pump: manual operated hydraulic pump or foot pedal
- › Table size: 1200 x 600 mm
- › Min. platform height: 425 mm
- › Max. platform height: 1010 mm
- › Weight: 150 kg
- › 4" Polyurethane on cast iron wheels:
 - 2 rigid casters (RM-78)
 - 1 swivel without brake (RM-109)
 - 1 swivel with brake (RM-113)



Hydraulic scissor platform truck – fast approach /

ref.:	W	D	H	C
4303	1065	570	250	0,25

Platform (lifted)



Product Specifications

- › 2 speed pump: manual operated hydraulic pump or foot pedal
- › Table size: 835 x 505 mm
- › Min. platform height: 250 mm
- › Max. platform height: 840 mm
- › Weight: 94 kg



Hydraulic tug unit and platform /

ref.:	W	D	H	C
MRH-2T	457	266	1040	2

Product Specifications

- › Stroke: 105 mm
- › Table dimensions:
 - Max width: 900 mm
 - Overall width: 1110 mm
 - Length: 740 mm
 - Height: 280 mm
- › Overall weight tug unit and platform: 88 Kg
- › Wheels:
 - 2 rigid load casters (RM-53)
 - 1 swivel steering caster (RM-51)





HAND PALLET TRUCKS

W / width (mm) D / depth (mm) H / height (mm) C / capacity (ton)

Hand pallet trucks

ref.:	W	D	H	C
TP2-SN1	1510	680	1200	2
TP2-SP1				
TP2-TN1				
TP2-TP1				

Product Specifications

- › Fork length: 1150 mm
- › Fork height (min./max.): 80 mm / 180 mm
- › Weight: 78 Kg
- › Wheels:
 - TP2-SN1: 2 single nylon load wheels and 2 nylon steering wheels with sealed bearing
 - TP2-SP1: 2 polyurethane on single cast iron load wheels and 2 polyurethane on cast iron steering wheels with sealed bearing



- TP2-TN1: 4 tandem nylon load wheels (RM-64) and 2 nylon steering wheels with sealed bearing (RM-53)
- TP2-TP1: 4 polyurethane on tandem cast iron load wheels (RM-63) and 2 polyurethane on cast iron steering wheels with sealed bearing (RM-62)

ref.:	W	D	H	C
TP2-SN2	1510	530	1200	2
TP2-SP2				
TP2-TN2				
TP2-TP2				

Product Specifications

- › Fork length: 1150 mm
- › Fork height (min./max.): 80 mm / 180 mm
- › Weight: 65 Kg
- › Wheels:
 - TP2-SN2: 2 single nylon load wheels (RM-55) and 2 nylon steering wheels with sealed bearing (RM-53)
 - TP2-SP2: 2 polyurethane on single cast iron load wheels (RM-61) and 2 polyurethane on cast iron steering wheels with sealed bearing (RM-62)



- TP2-TN2: 4 tandem nylon load wheels (RM-64) and 2 nylon steering wheels with sealed bearing (RM-53)
- TP2-TP2: 4 polyurethane on tandem cast iron load wheels (RM-63) and 2 polyurethane on cast iron steering wheels with sealed bearing (RM-62)

Electric pallet truck – Lifting by battery

ref.:	W	D	H	C
TP2-SN1 E	1650	680	676	2
TP2-TN1 E				

Product Specifications

- › Fork length: 1150 mm
- › Overall height with handle: 1095 mm
- › Fork height (min./max.): 80 mm / 180 mm
- › Power supply: Battery
- › Battery voltage/nominal capacity (V/Ah): 12/185
- › Battery autonomy: 4 hours
- › Lifting motor: 1,2Kw
- › Lifting speed: 13cm/s
- › Battery charger: KL240/12V



- › Weight: 180 Kg
- › Wheels:
 - TP2-SN1 E: 2 single nylon load wheels (RM-55) and 2 nylon steering wheels with sealed bearing (RM-53)
 - TP2-TN1 E: 4 tandem nylon load wheels (RM-64) and 2 nylon steering wheels with sealed bearing (RM-53)

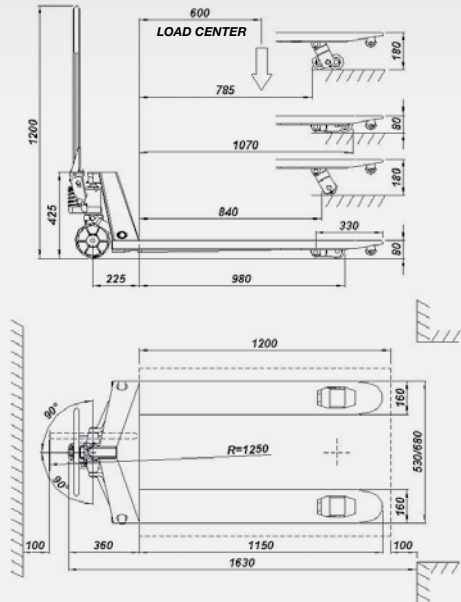
Load wheels



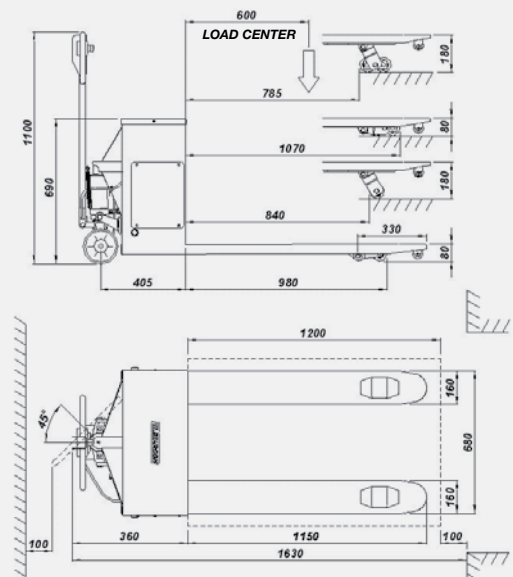
Product Specifications

- › Single nylon load wheels: dia. 75 x 100 mm with sealed bearing
- › Tandem nylon load wheels: dia. 75 x 74 mm with sealed bearing

Hand pallet truck dimensions



Electric pallet truck dimensions



Electric pallet trucks – Lifting and traction by battery

ref.:

W	D	H	C
1830	680	676	2

TP2-SP1 T
TP2-TP1 T



Product Specifications

- Fork height (min./max.): 85 mm / 200 mm
 - Fork length: 1150 mm
 - Power supply: 2 traction batteries: 12ml 140Ah
 - Battery autonomy: 4 hours
 - Lifting speed (unladen/laden): 3,0/2,0 m/min
 - Lowering speed (unladen/laden): 2,4/3,0 m/min
 - Max. speed (unladen/laden): 6,0 /5,0 km/h
 - Lifting motor: - Mini Hydraulic Power Unit: W8006-24V/2,0KW
 - Battery charger: - Model: PX20 60Hz
 - Battery voltage/nominal capacity (V/Ah): 24V CC220V C.A
 - Electrical current: 20Ah
 - Traction motor: traction wheel - Model: W1000 / 24V / A70 / RPM 3500
- * Does not include operator platform
- Speed controller: BU Eletronics (model: 20 IP)
 - Weight: 345,5 kg
- TP2-SP1 T**
- Polyurethane on cast iron wheels: - 2 rigid single load wheels with sealed bearing (RM-61)
 - 2 swivel steering wheels: dia. 170 x 50 mm
- TP2-TP1 T**
- Polyurethane on cast iron wheels: - 4 rigid tandem load wheels with sealed bearing (RM-63)
 - 2 swivel steering wheels: dia. 170 x 50 mm

ref.:

W	D	H	C
1830	680	676	2

TP2-SP1 TO
TP2-TP1 TO



*Includes operator platform

Product Specifications

- Fork height (min./max.): 85 mm / 200 mm
 - Fork length: 1150 mm
 - Power supply: 2 traction batteries: 12ml 140Ah
 - Battery autonomy: 4 hours
 - Lifting speed (unladen/laden): 3,0/2,0 m/min
 - Lowering speed (unladen/laden): 2,4/3,0 m/min
 - Max. speed (unladen/laden): 6,0/5,0 km/h
 - Lifting motor: - Mini Hydraulic Power Unit: W8006-24V/2,0KW
 - Battery charger: - Model: PX20 60Hz
 - Battery voltage/nominal capacity (V/Ah): 24V CC220V C.A
 - Electrical current: 20Ah
- Traction motor: traction wheel - Model: W1300 / 24V / A70 / RPM 3400
 - Speed controller: BU Eletronics (model: 2430 EXPS)
 - Weight: 350,4 kg
- TP2-SP1 TO**
- Polyurethane on cast iron wheels: - 2 rigid single load wheels with sealed bearing (RM-61)
 - 2 swivel steering wheels: dia. 170 x 50 mm
- TP2-TP1 TO**
- Polyurethane on cast iron wheels: - 4 rigid tandem load wheels with sealed bearing (RM-63)
 - 2 swivel steering wheels: dia. 170 x 50 mm

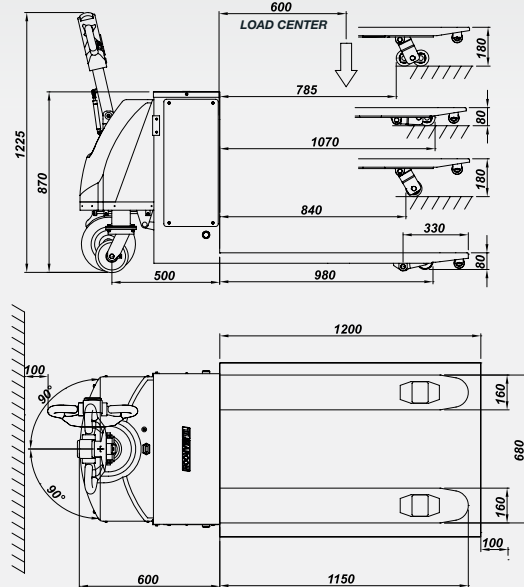
Load wheels



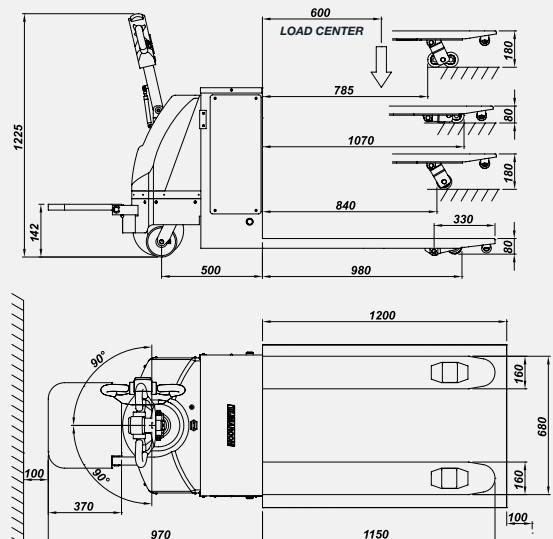
Product Specifications

- Single polyurethane load wheels: dia. 75 x 100 mm with sealed bearing
- Tandem polyurethane load wheels: dia. 75 x 74 mm with sealed bearing

Electric pallet truck Dimensions (without operator platform)



Electric pallet truck Dimensions (with operator platform)





Reliable and high strength products allow engineering construction to work better with versatility and safety.





SEE THE FIGURES FOR CEMENT MIXER DETAILS

NYLON AND CAST IRON RING GEAR

Cement mixer ring gear is available in two options: a traditional model made of cast iron and a modern model made of nylon, providing a smooth working with high durability.



ERGONOMICALLY CORRECT

Cement mixer dimensions provide a correct ergonomic working position, improving the work of the operator.



MIXING BLADE SYSTEM

This system is responsible for getting a homogeneous mixture of cement.



EASY ASSEMBLY

Screw type assembly provides a simple maintenance.



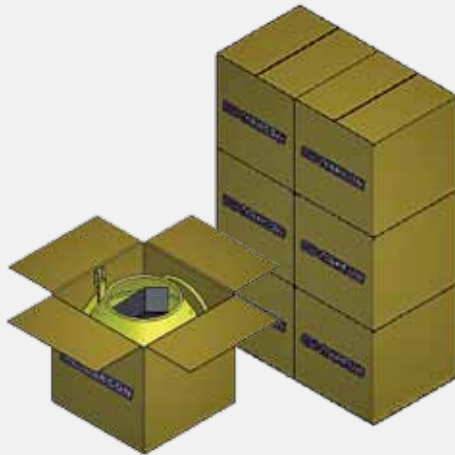


ref.:

- BT-1 and BT-1F 130 liters**
- BT-2 and BT-2F 130 liters**
- BT-3 and BT-3F 130 liters**
- BT-4 and BT-4F 150 liters**
- BT-5 and BT-5F 150 liters**
- BT-6 and BT-6F 150 liters**

capacity
130
LITERS

capacity
150
LITERS



Product packaging and transportation:
for a safe transportation, product is pre-assembled, which allows you to stack up to 3 boxes.



Product Specifications

- › Wheels: RM-40
- › Includes ground wire

BT-1, BT-2, BT-3, BT-4,
BT-5 and BT-6

- › Nylon ring gear

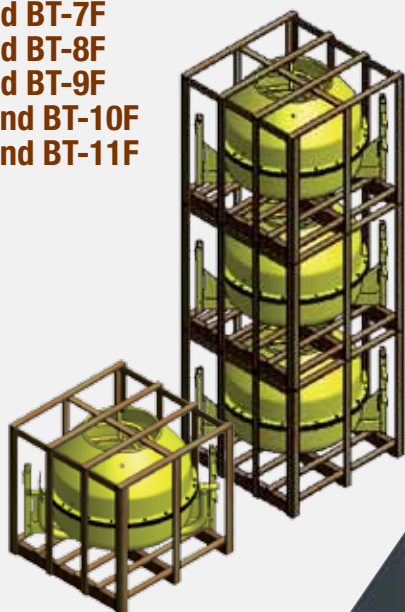
BT-1F, BT-2F, BT-3F, BT-4F,
BT-5F and BT-6F

- › Cast iron ring gear

TECHNICAL DATA / MEASURES		BT-1 and BT-1F	BT-2 and BT-2F	BT-3 and BT-3F	BT-4 and BT-4F	BT-5 and BT-5F	BT-6 and BT-6F
Overall height	mm	1240	1240	1240	1240	1240	1240
Overall depth	mm	700	700	700	700	700	700
Overall width	mm	1200	1200	1200	1200	1200	1200
Weight	kg	47,89	49,14	49,14	50	54	54
Motor voltage	V	—	127	220	—	127	220
Electrical power capacity	W	—	250	250	—	250	250
Frequency	Hz	—	60	60	—	60	60
Electrical current	A	—	4	2,1	—	4	2,1
Energy consumption	kWh	—	0,25	0,25	—	0,25	0,25
Motor power	HP	—	1/3	1/3	—	1/3	1/3
Motor speed	rpm	—	1740	1740	—	1740	1740
Power cord length	mm	—	170	170	—	170	170
Load capacity	liters	70	70	70	80	80	80
Nominal capacity	liters	130	130	130	150	150	150
Drum speed	rpm	28	28	28	28	28	28
Belt	—	3L-310	3L-310	3L-310	3L-310	3L-310	3L-310
Motor phase	V	without motor	127 V single phase	220 V single phase	without motor	127 V single phase	220 V single phase

ref.:

BT-7 and BT-7F
BT-8 and BT-8F
BT-9 and BT-9F
BT-10 and BT-10F
BT-11 and BT-11F



Product packaging and transportation:
 for a safe transportation, product is pre-assembled, which allows you to stack up to 3 boxes.

capacity
400
 LITERS



Product Specifications

- › Wheels: RM-6
- › Includes ground wire

- BT-7, BT-8, BT-9,
BT-10 and BT-11
- › Nylon ring gear

- BT-7F, BT-8F, BT-9F,
BT-10F and BT-11F
- › Cast iron ring gear

TECHNICAL DATA	MEASURES	BT-7 and BT-7F	BT-8 and BT-8F	BT-9 and BT-9F	BT-10 and BT-10F	BT-11 and BT-11F
Overall height	mm	1480	1480	1480	1480	1480
Overall depth	mm	990	990	990	990	990
Overall width	mm	1790	1790	1790	1790	1790
Weight	kg	140	167	167	167	167
Motor voltage	V	—	127	220	220	380
Electrical power capacity	W	—	1500	1500	1500	1500
Frequency	Hz	—	60	60	60	60
Electrical current	A	—	17,2	13,6	6,61	3,83
Energy consumption	kWh	—	1,5	1,5	1,5	1,5
Motor power	HP	—	2	2	2	2
Motor speed	rpm	—	1740	1740	1740	1740
Power cord length	mm	—	170	170	170	170
Load capacity	liters	280	280	280	280	280
Nominal capacity	liters	400	400	400	400	400
Drum speed	rpm	29	29	29	29	29
Belt	—	A-48	A-48	A-48	A-48	A-48
Motor phase	V	without motor	127 V single phase	220 V single phase	220 V three-phase motor	380 V three-phase motor



WHEELBARROWS

Steel tray

ref.:

- CM-1
- CM-2
- CM-3
- CM-4
- CM-5
- CM-6

STEEL TRAY



completely dismantable



Product Specifications

- › Completely dismantable
- › Handle assembly, leg, braces (long cross brace and short cross brace), tray brace, and tray are made of carbon steel.
- › Easy assembly and high durability

WHEELS

SPECIFICATIONS

WHEELS	SPECIFICATIONS
RM-116	rim
RM-117	wheel with tire and tube 3,25 x 8
RM-118	wheel with tire and tube 3,50 x 8
RM-119	solid rubber wheel

see figures for details



TECHNICAL DATA / MEASURES		CM-1	CM-2	CM-3	CM-4	CM-5	CM-6
Tray height	mm	220/100	220/100	220/100	240/130	240/130	240/130
Tray width	mm	585	585	585	585	585	585
Tray depth	mm	820	820	820	820	820	820
Tray plate thickness	mm	0,45	0,45	0,45	0,60	0,60	0,60
Frame plate thickness	mm	1,06	1,06	1,06	1,06	1,06	1,06
Capacity	liters	45	45	45	60	60	60
Wheels	—	RM-117	RM-118	RM-119	RM-117	RM-118	RM-119

Polypropylene tray

ref.:

- CM-7
- CM-8
- CM-9
- CM-10
- CM-11
- CM-12

POLYPROPYLENE TRAY



completely dismantable



Product Specifications

- › Completely dismantable
- › Handle assembly, leg, braces (long cross brace and short cross brace) and tray brace are made of carbon steel.
- › Polypropylene tray
- › Easy assembly and high durability

WHEELS

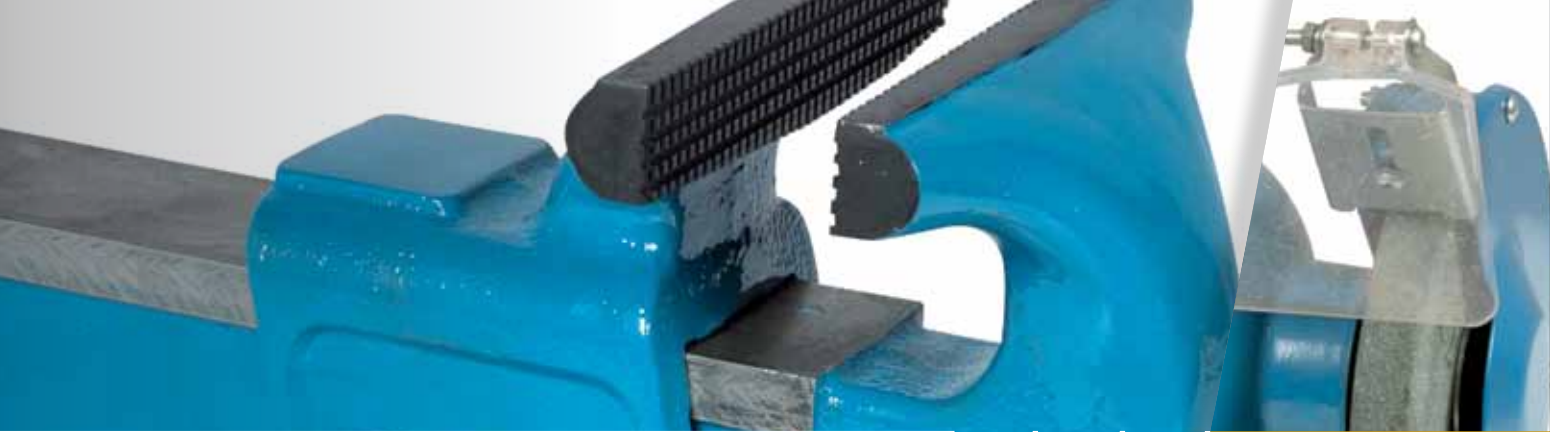
SPECIFICATIONS

WHEELS	SPECIFICATIONS
RM-116	rim
RM-117	wheel with tire and tube 3,25 x 8
RM-118	wheel with tire and tube 3,50 x 8
RM-119	solid rubber wheel

see figures for details



TECHNICAL DATA / MEASURES		CM-7	CM-8	CM-9	CM-10	CM-11	CM-12
Tray height	mm	275/160	275/160	275/160	240/140	240/140	240/140
Tray width	mm	562	562	562	655	655	655
Tray depth	mm	745	745	745	845	845	845
Frame plate thickness	mm	1,06	1,06	1,06	1,06	1,06	1,06
Capacity	liters	53	53	53	60	60	60
Wheels	—	RM-117	RM-118	RM-119	RM-117	RM-118	RM-119



MARCON products: available to solve your workspace needs, assuring more versatility and safety. Check our new workbench tools!



TIL MARCON
SEMI PROFESSIONAL

FB-1
FURADEIRA DE BANCADA
CAPACIDADE: 13 mm
3 VELOCIDADES

POSSÍVEIS ACOMPANHANTES A VELOCIDADES DE USO:

1	585 rpm
2	1040 rpm
3	1510 rpm
4	2150 rpm
5	3000 rpm

ATENÇÃO PARA SUA SEGURANÇA
LIDA COM ATENÇÃO E HABILIDADE DE INSTRUIÇÃO
- Utilize o embocadura de furadeira adequada
- Sempre utilize EPI's adequadas
- Não utilize peças gravadas ou outros itens protegidos
- Prenda firmemente o peço do trabalho para a bancada de trabalho
- Prenda firmemente o cabeçote: suporte o colar do eixo de corte
- Use apenas acessórios aprovados

TIL MARCON



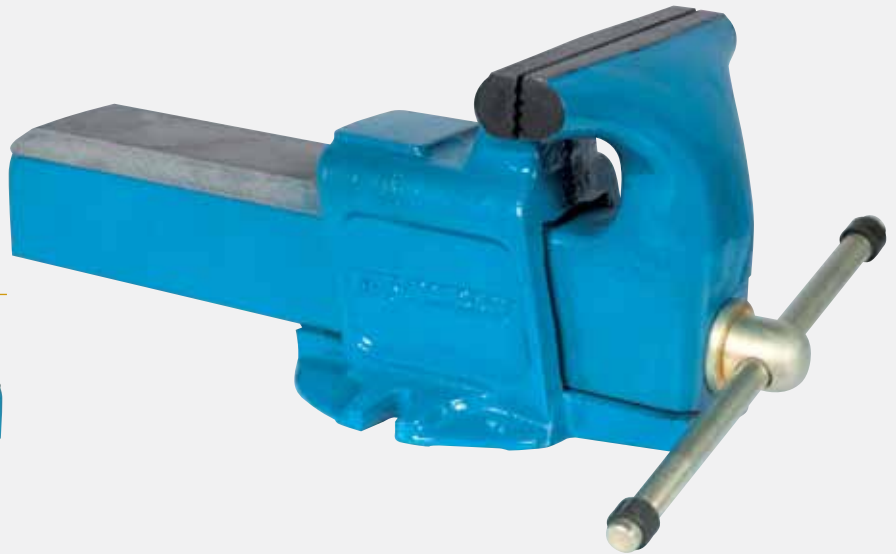


Bench vise jaws

ref.:

- MR-2
- MR-3
- MR-4
- MR-5
- MR-6
- MR-8

see the figure for details: bench vise opening



Product Specifications

- › Ductile iron Bench Vise Jaw
- › Ideal for heavy duty work and application in different sectors such as automotive sector, tools, industries, metal working, among others.

TECHNICAL DATA / MEASURES	MR-2	MR-3	MR-4	MR-5	MR-6	MR-8
Jaw width	inches/mm	2"/50	3"/76	4"/101	5"/127	8"/203
Maximum opening	mm	50	76	101	127	203
Overall width	mm	212	226	270	319	473
Overall depth	mm	94	99	113	132	202
Overall height	mm	88	102	121	138	175

Bench Grinder

ref.:

- ME-1



Product Specifications

- › Motor: single phase
- › Low maintenance cost
- › Voltage: 127/220 V
- › Includes 2 wheels

TECHNICAL DATA / MEASURES	ME-1	
Motor power	HP	1/2
Motor power	W	360
Overall height	mm	260
Overall depth	mm	193
Overall width	mm	325
Voltage	V	bivolt (127/220)
Speed range	rpm	3460
Wheel dimensions	mm	Ø150 x 16 x Ø12,7

ref.:
FB-1 127V / 220V



Product Specifications

- › Lever arms (3 arms)
- › Base and table (material: gray cast iron)
- › On/Off switch
- › Adjustment motor mount, providing rapid belt changes
- › Swivel and Tilting table
- › Single phase electric motor
- › Depth scale

ref.:
FB-3 127V / 220V



Product Specifications

- › Lever arms (3 arms)
- › Base and table (material: gray cast iron)
- › On/Off switch
- › Adjustment motor mount, providing rapid belt changes
- › Swivel and Tilting table
- › Single phase electric motor
- › Depth scale

TECHNICAL DATA / MEASURES		FB-1	FB-3
Motor power	HP	1/3	1/2
Motor power	W	250	375
Voltage	V	127 / 220	127 / 220
Drilling capacity	mm/in	13-1/2"	16-5/8"
Drilling depth	mm	50	60
Speeds	qty	5	12
Variable spindle speed	rpm	585 to 3000	240 to 2450
Table size	mm	160x160	200x195
Base size	mm	290x190	355x235
Column diameter	mm	Ø 46	Ø 60
Overall height	mm	580	980



TIL MARCON

www.marcon.ind.br

MARCON INDÚSTRIA METALÚRGICA LTDA.

Location: Marília, SP, Brazil

Address: Rua: Coelho Neto nº 48 • Zip Code: 17510-013

Telephone: +55 14 3401-2425 • Fax: +55 14 3422-3544

e-mail: marcon@marcon.ind.br